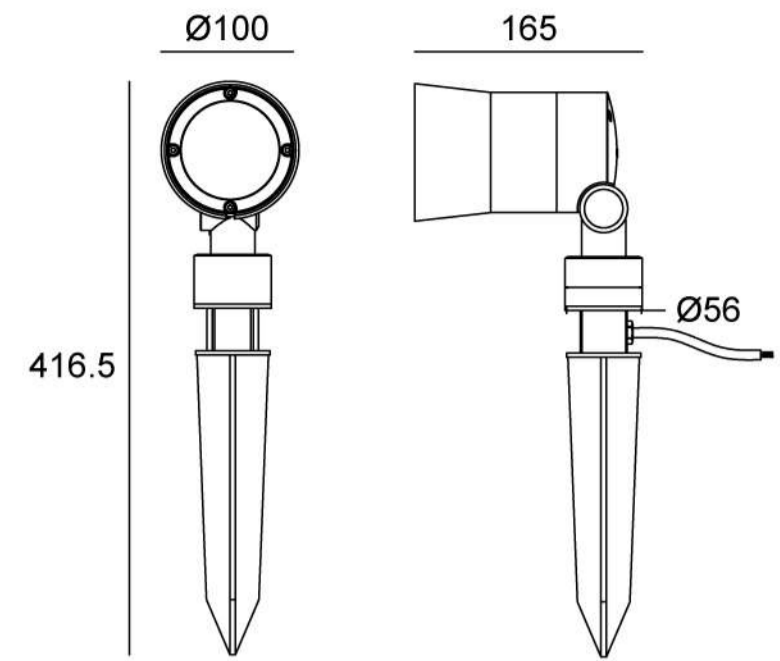


## 03CTBB0169

Light Source	1x18W
Lens	B76
Selected Degree (°)θ1/2	20°
Input Voltage (V)	DC 24 AC 240
Operating Current (MA)	24V=875 240V=89
Consumption (W)	24V=21 240V=20
Luminance (LM)	WW=2054
IK	07

## Linear Drawing



Unit: mm

## Specification

Housing	12# Die-casting aluminum finishing or powder Painting T=60-80µm.Adhesion of ISO class 1/ASTM class 4B
Light Window	Tempered Glass.T=3mm
Gasket	Tooling shaped seal
Cable Gland	Nickel coated copper
LED Type	COB
LED Driver	Built in on/off driver
Operating Temperature	-20°C~40°C
Power Cable	Outside of luminaire (Without waterstopper) 24V:H05RN-F 2×1.0mm <sup>2</sup> L=2m 240V: H05RN-F 3×1.0mm <sup>2</sup> L=2m

## Lens (Item Code)

Referenced Degree(°)θ1/2



15° 20° 35° 50°

B76

## Painting Color

Primary



Sanded Black  
RAL 9005

Secondary

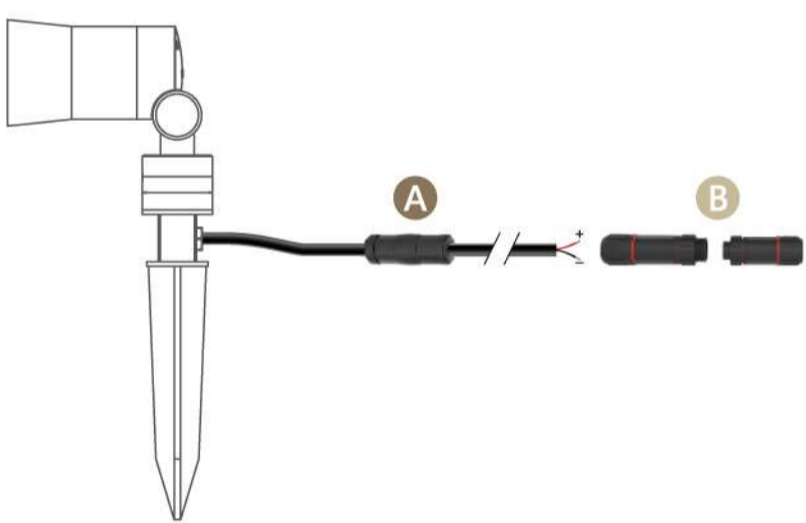


Sanded Dark Grey  
KAP 7037



Sanded Bronze  
KAP 7008

## Water Proof Solution



### A Water stopper(Included)

The luminaires produce high temperatures during use, which can create negative pressure upon power-off, drawing water vapor through the power cable. Therefore, it is essential for the device to prevent water vapor ingress with water-stopper.

### B IP67 Jiffy quick plug/socket connector(Option)

Along with water-stopper, this optional accessory acts as a fail-safe device for preventing vapor getting into the fixture via power cable. It is the also the most IP-rating securing device for wiring.

## Overview

