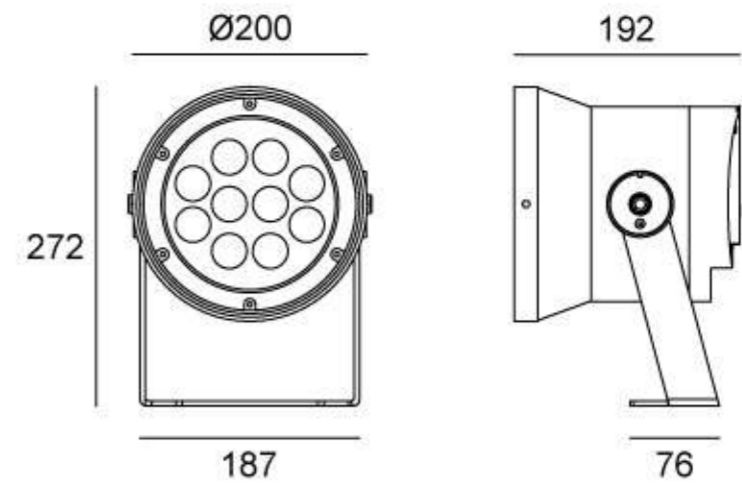


03CPUB1065

Light Source	10x4.5W
Lens	B92
Selected Degree (°)θ1/2	20°
Input Voltage (V)	AC 120 240
Operating Current (MA)	120V=428 240V=214
Consumption (W)	120V/240V=50
Luminance (LM)	240V=4210
IK	07

Linear Drawing



Unit: mm

Specification

Housing	12# Die-casting aluminum powder coated. T=60-80μm. Adhesion of ISO class 1/ASTM class 4B
Bracket	Iron powder coated. T=2.5mm
Light Window	Tempered glass. T=3mm
Gasket	Tooling shaped seal
Cable Gland	IP68 PG-11 PA66
LED Type	SMD
Driver	Built in on/off driver
Operating Temperature	-20°C~40°C
Power Cable	Outside of luminaire (Without waterstopper) 120V/240V: H07RN-F 3×1.0mm ² , L=2.0m

Lens (Item Code)

Referenced Degree(°)θ1/2



B92

8° 15° 20° 30° 50°

Painting Color

Primary



Sanded Black
RAL 9005

Secondary



Sanded Dark Grey
KAP 7037



Sanded Bronze
KAP 7008



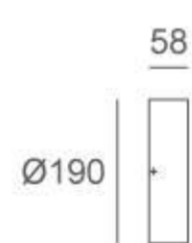
Sanded White
RAL 9003

Optional (Accessories)

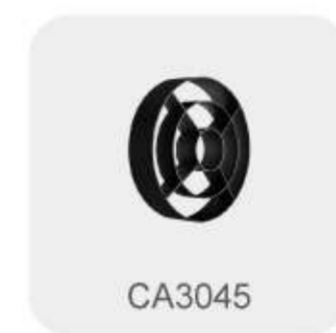
Hood



CA3042



Anti Glare Louver



CA3045



Water Proof Solution

A Water stopper(Included)

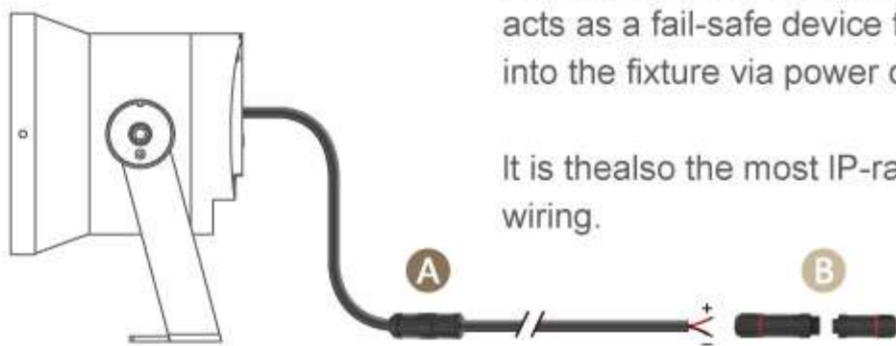
The luminaires produce high temperatures during use, which can create negative pressure upon power-off, drawing water vapor through the power cable.

Therefore, it is essential for the device to prevent water vapor ingress with water-stopper.

B IP67 Jiffy quick plug/socket connector(Option)

Along with water-stopper, this optional accessory acts as a fail-safe device for preventing vapor getting into the fixture via power cable.

It is the also the most IP-rating securing device for wiring.

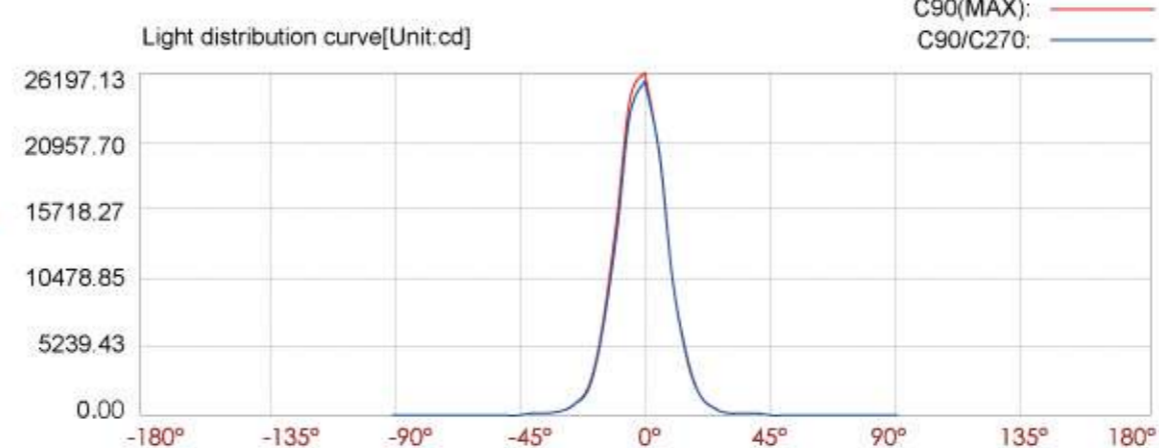
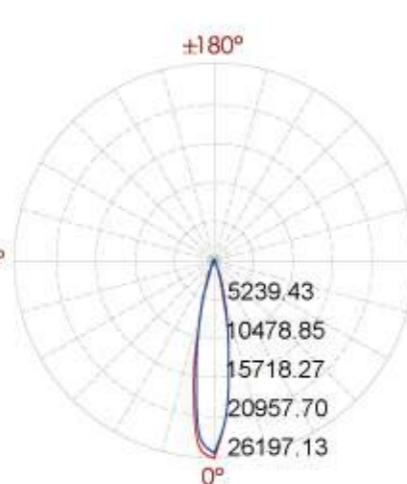


Overview



Photometric

12m	181.26 LUX
10m	261.02 LUX
9m	
8m	407.64 LUX
7m	
6m	725.05 LUX
5m	
4m	1631.35 LUX
3m	
2m	6525.41 LUX
1m	



C90(MAX):
C90(MAX):
C90/C270:

Lux distance curve

Center beam LUX	Illuminance at a distance		Beam width	
	V	H	V	H
2m	6525.41 LUX	0.7m	0.7m	
4m	1631.35 LUX	1.4m	1.4m	
6m	725.05 LUX	2.1m	2.1m	
8m	407.64 LUX	2.8m	2.7m	
10m	261.02 LUX	3.5m	3.4m	
12m	181.26 LUX	4.2m	4.1m	

Ver Spread:20.0 Horiz Spread:19.5