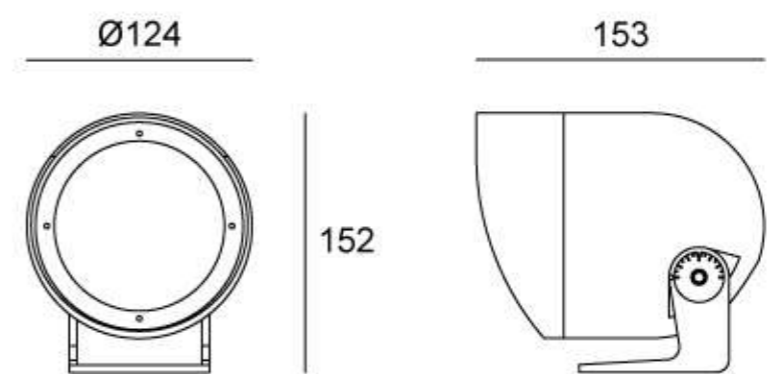


## 03BWB0170

Light Source	1x18W
Lens	B56
Selected Degree (°)θ1/2	24°
Input Voltage (V)	DC 24 AC 240
Operating Current (MA)	24V=760 240V=90
Consumption (W)	24V=18.4 240V=17
Luminance (LM)	24V=1342
IK	09

## Linear Drawing



Unit: mm

## Specification

Housing	12# Die-casting aluminum powder coated. T=60-80µm. Adhesion of ISO class 1/ASTM class 4B
Light Window	PC T=6mm
Gasket	Tooling shaped seal
LED Type	COB
Driver	Built in on/off driver
Operating Temperature	-20°C~40°C
Power Cable	Outside of luminaire (Without waterstopper) 24V: H05RN-F 2×1.0mm <sup>2</sup> , L=2.0m 240V: H05RN-F 3×1.0mm <sup>2</sup> , L=2.0m

## Lens (Item Code)

## Referenced Degree(°)θ1/2



B56

15° 24° 38° 45° 60°

## Painting Color

### Primary



Sanded Black  
RAL 9005

### Secondary



Sanded Dark Grey  
KAP 7037



Sanded Bronze  
KAP 7008



Sanded White  
RAL 9003

## Optional (Accessories)

### Spike PC/ABS alloys



17B

### Stainless steel



13B

### Mounting Base



BS003

- PC/ABS alloys for option assembled by user select. Stainless steel and the others for option.
- Mounting base for option assembled by user select.

## Diagram of Instruction



### A Water stopper(Included)

The luminaires produce high temperatures during use, which can create negative pressure upon power-off, drawing water vapor through the power cable. Therefore, it is essential for the device to prevent water vapor ingress with water-stopper.

### B IP67 Jiffy quick plug/socket connector(Optional)

Along with water-stopper, this optional accessory acts as a fail-safe device for preventing vapor getting into the fixture via power cable. It is also the most IP-rating securing device for wiring.

