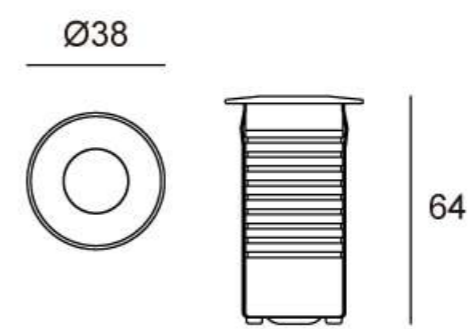


02YBRD0134B

Light Source	1x0.5W
Lens	N/A
Selected Degree (°)θ1/2	65°
Input Voltage (V)	DC 24
Operating Current (MA)	24V=26
Consumption (W)	24V=0.6
Luminance (LM)	WW=31
IK	07

Linear Drawing



Unit: mm

Specification

Housing	Aluminum powder coated. T=60-80µm Adhesion of ISO class 1/ASTM class 4B
Front Cover	SUS 316# forged molding with hard chromeplated
Light Window	Tempered step glass.T=4mm
Glass Pressure Capacity	1868kgs
Gasket	Silicon rubber molding shaped seal
Power Cable	Outside of luminaire (Without waterstopper) 24V: H05RN-F 2×1.0mm², L=0.5m
LED Driver	Built in on/off driver
LED Type	SMD
Lens	PMMA
Sleeve	PC/ABS Alloys
Operating Temperature	-20°C~40°C
Dimming Support	External DALI supported TRIAC,0-10V, PWM via external driver on request

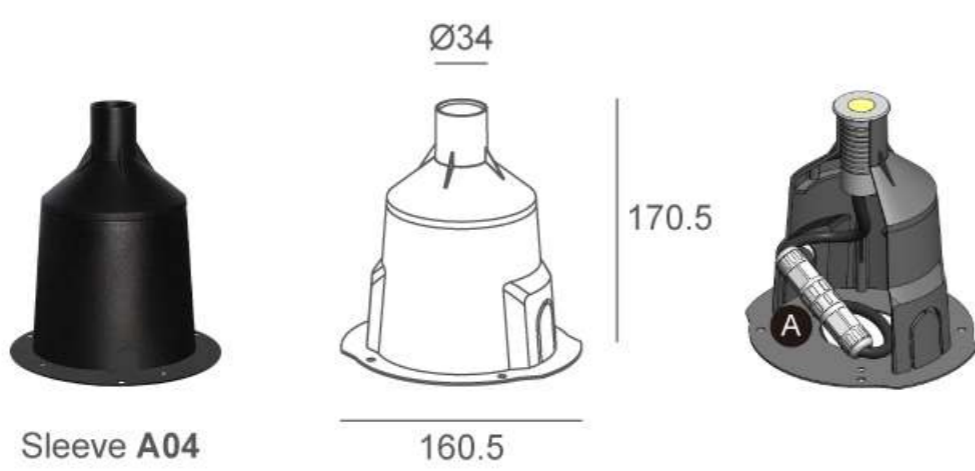
Water Proof Solution



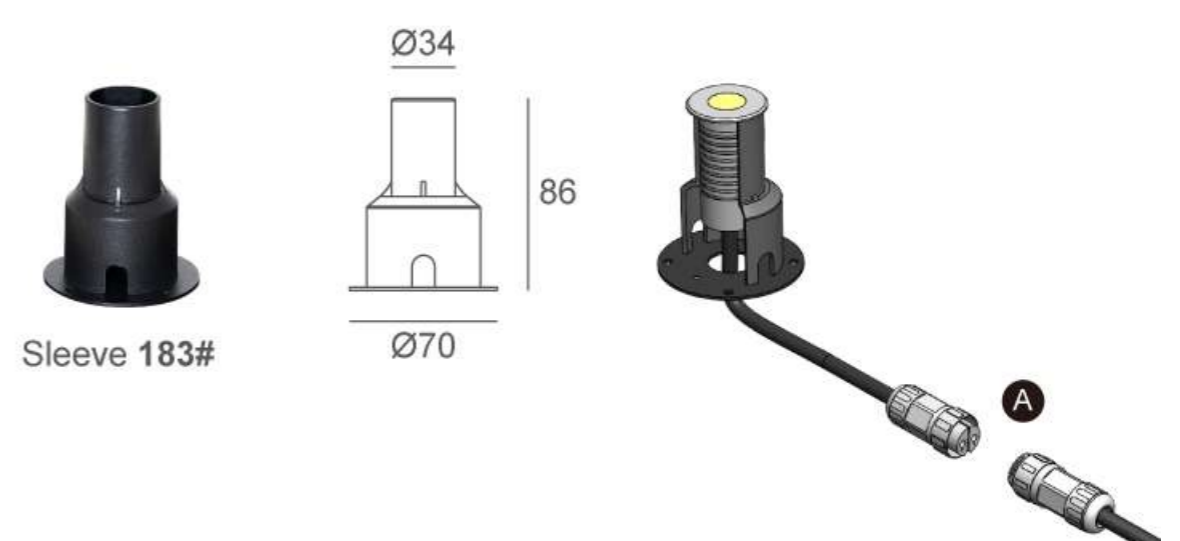
- A IP67 Jiffy quick plug/socket connector(Option)**
 Along with water-stopper, this optional accessory acts as a fail-safe device for preventing vapor getting into the fixture via power cable. It is also the most IP rating securing device for wiring.

Sleeve

Optional 1

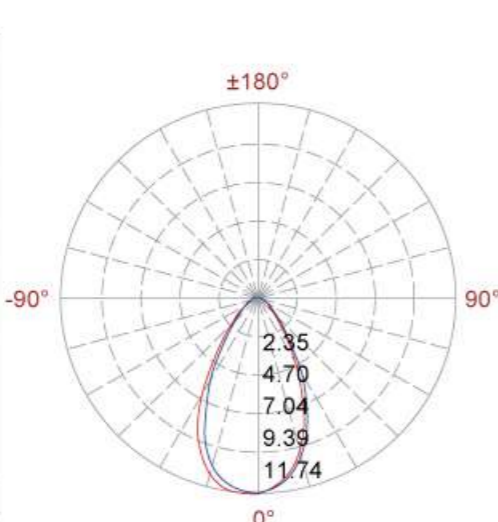


Optional 2

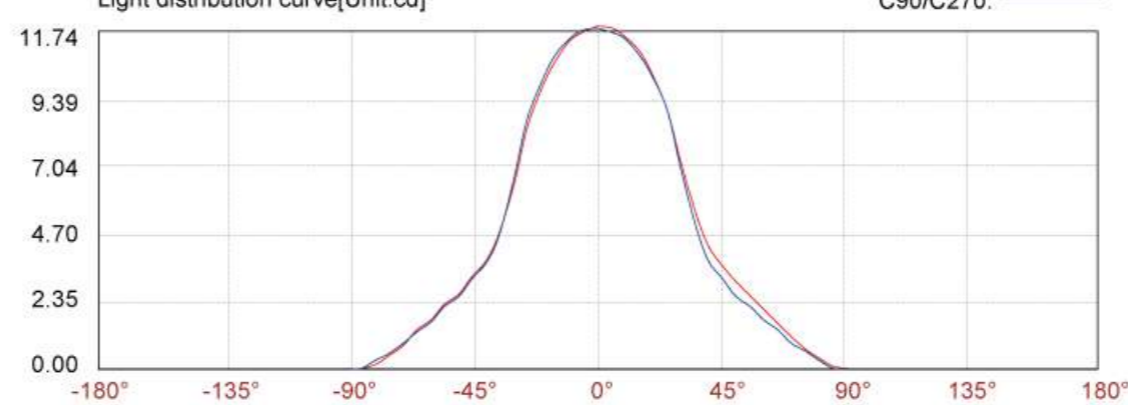


Photometric

12m	0.08 LUX
11m	
10m	0.12 LUX
9m	
8m	0.18 LUX
7m	
6m	0.33 LUX
5m	
4m	0.73 LUX
3m	
2m	2.93 LUX
1m	



Light distribution curve[Unit:cd]



C90(MAX):
 C0/C180:
 C90/C270:

Lux distance curve

	Illuminance at a distance		Beam width	
	Center beam LUX	Beam width V	H	
2m	2.93 LUX	2.2m	2.2m	
4m	0.73 LUX	4.4m	4.4m	
6m	0.33 LUX	6.6m	6.6m	
8m	0.18 LUX	8.8m	8.8m	
10m	0.12 LUX	10.9m	11.0m	
12m	0.08 LUX	13.1m	13.2m	

Ver.Spread:57.4 Horiz.Spread:57.6