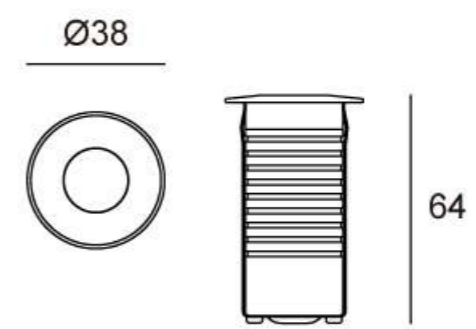


02YBRB0157B

Light Source	1x1.5W
Lens	B15
Selected Degree (°)θ1/2	15°
Input Voltage (V)	DC 24
Operating Current (MA)	24V=88
Consumption (W)	24V=2.1
Luminance (LM)	WW=145
IK	07

Linear Drawing



Unit: mm

Specification

Housing	Aluminum powder coated. T=60-80µm Adhesion of ISO class 1/ASTM class 4B
Front Cover	SUS 316# forged molding with hard chromeplated
Light Window	Tempered step glass.T=4mm
Glass Pressure Capacity	1868kgs
Gasket	Silicon rubber molding shaped seal
Power Cable	Outside of luminaire (Without waterstopper) 24V: H05RN-F 2×1.0mm², L=0.5m
LED Driver	Built in on/off driver
LED Type	SMD
Lens	PMMA
Sleeve	PC/ABS Alloys
Operating Temperature	-20°C~40°C
Dimming Support	External DALI supported TRIAC,0-10V, PWM via external driver on request

Lens (Item Code)

Referenced Degree(°)θ1/2



B15

10° 15° 20° 30° 10°x33°

Water Proof Solution

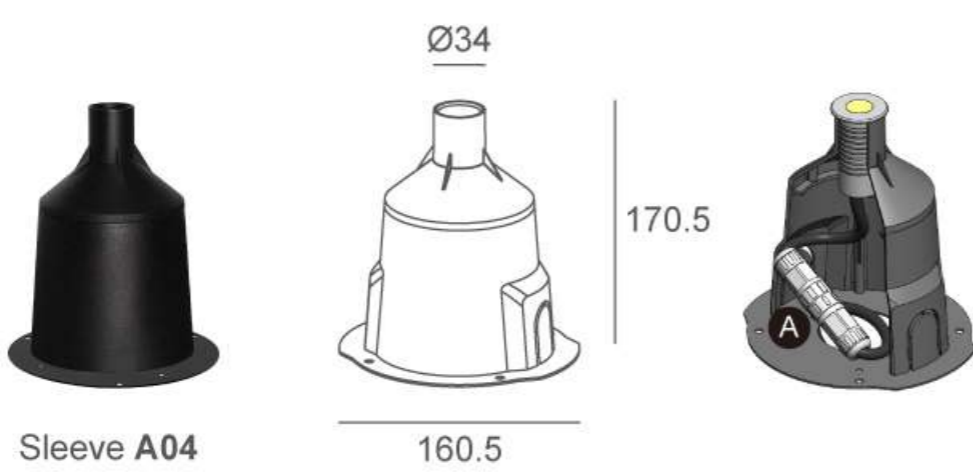


A IP67 Jiffy quick plug/socket connector(Option)

Along with water-stopper, this optional accessory acts as a fail-safe device for preventing vapor getting into the fixture via power cable. It is also the most IP rating securing device for wiring.

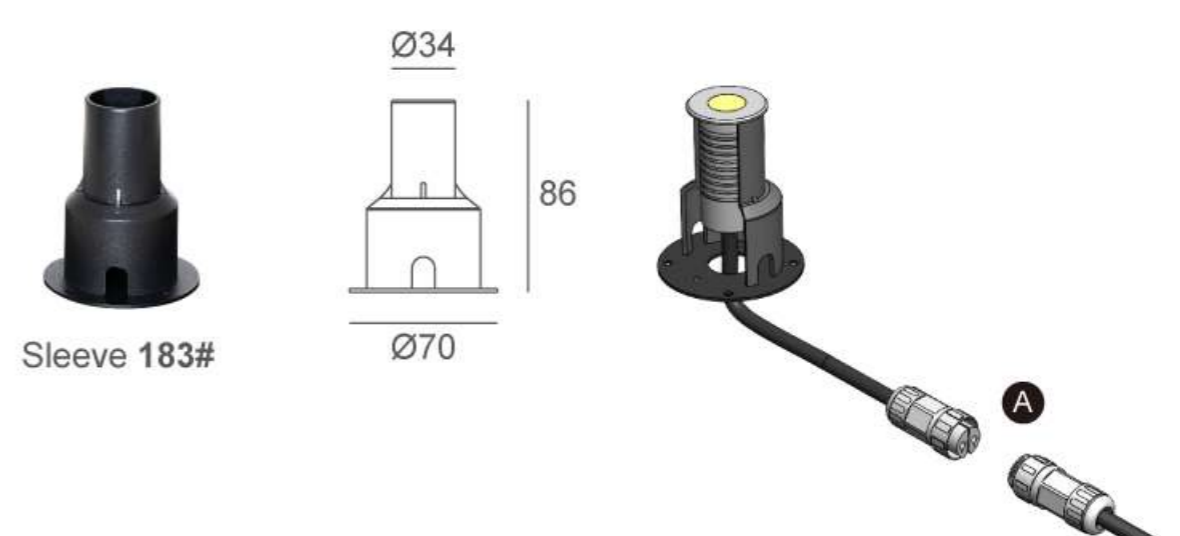
Sleeve

Optional 1



Sleeve A04

Optional 2

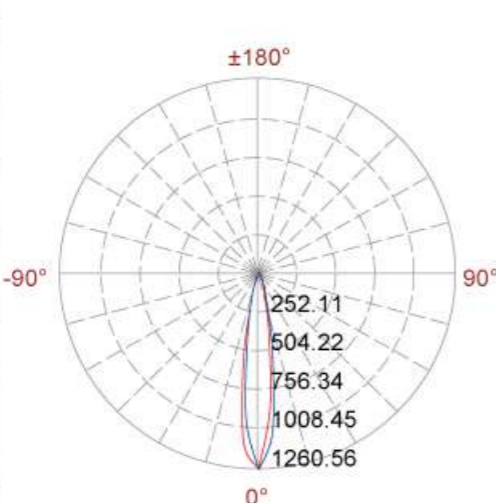


Sleeve 183#

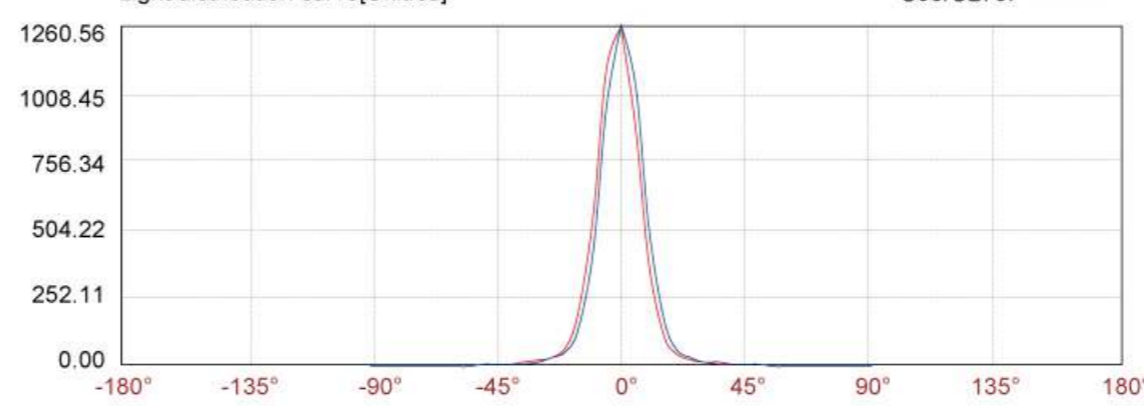


Photometric

12m	8.69 LUX
11m	
10m	12.52 LUX
9m	
8m	19.56 LUX
7m	
6m	34.78 LUX
5m	
4m	78.25 LUX
3m	
2m	312.99 LUX
1m	



Light distribution curve[Unit:cd]



C90(MAX):
C0/C180:
C90/C270:

Lux distance curve

	Illuminance at a distance			
	Center beam LUX	Beam width		
		V	H	
2m	312.99 LUX	0.6m	0.6m	
4m	78.25 LUX	1.2m	1.2m	
6m	34.78 LUX	1.8m	1.8m	
8m	19.56 LUX	2.4m	2.4m	
10m	12.52 LUX	3.0m	3.0m	
12m	8.69 LUX	3.6m	3.6m	

Ver.Spread:16.8 Horiz.Spread:17.0