

02SKB4557

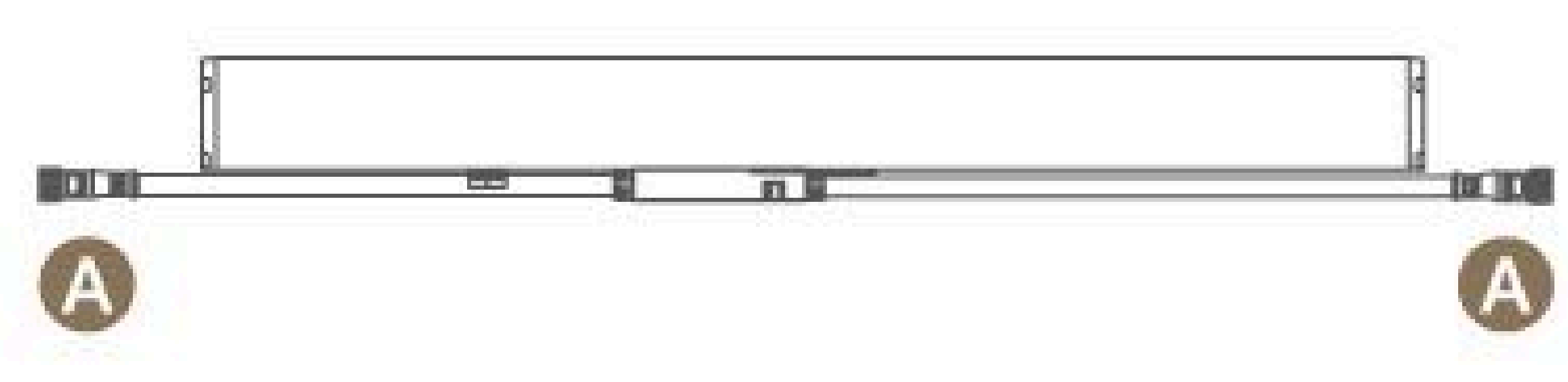
Light Source	45x1.5W
Selected Degree (°)θ1/2	30°
Input Voltage (V)	DC 24 AC 240
Operating Current (MA)	24V=3125 240V=384
Consumption (W)	24V=75 240V=84
Luminance (LM)	WW=4344
IK	10

Specification

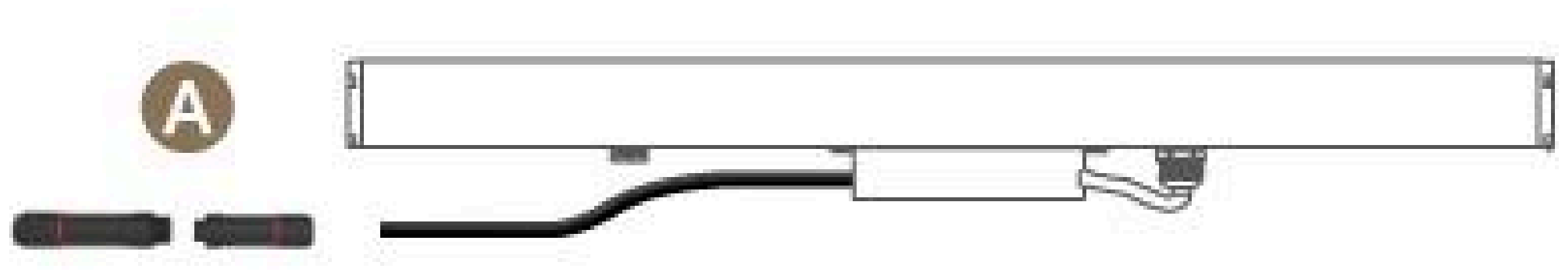
Housing	Extruded aluminum with corrosion
Light Window	Tempered glass.T=8mm
LED Type	SMD
PCB	Excellent heat conductivity aluminum.coefficient of heat Conductivity≥2.0w/mk
Gasket	Glass and housing are silicone sealed
LED Driver	Built in on/off driver
Power Cable	Outside of luminaire (Without waterstopper) 24V:H07RN-F 2×1.5mm ² L=1.5m 240V:H05RN-F 3×1.0mm ² L=0.3m
Mounting Sleeve	Risistance painting
Glass Pressure Capacity	2524kgs
Dimming Support	External DALI supported TRIAC, 0-10V, PWM via external driver on request
Operating Temperature	-20°C~40°C

Water Proof Solution

Low voltage

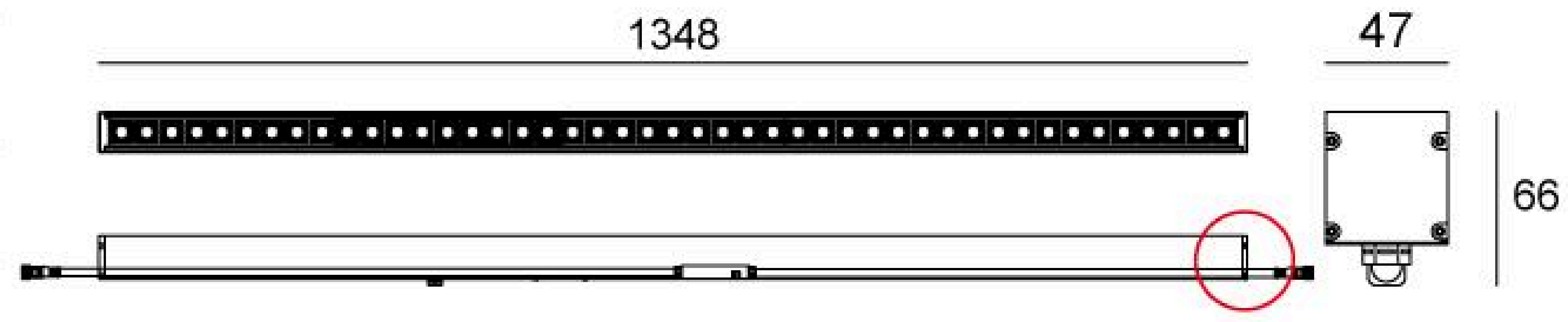


High voltage

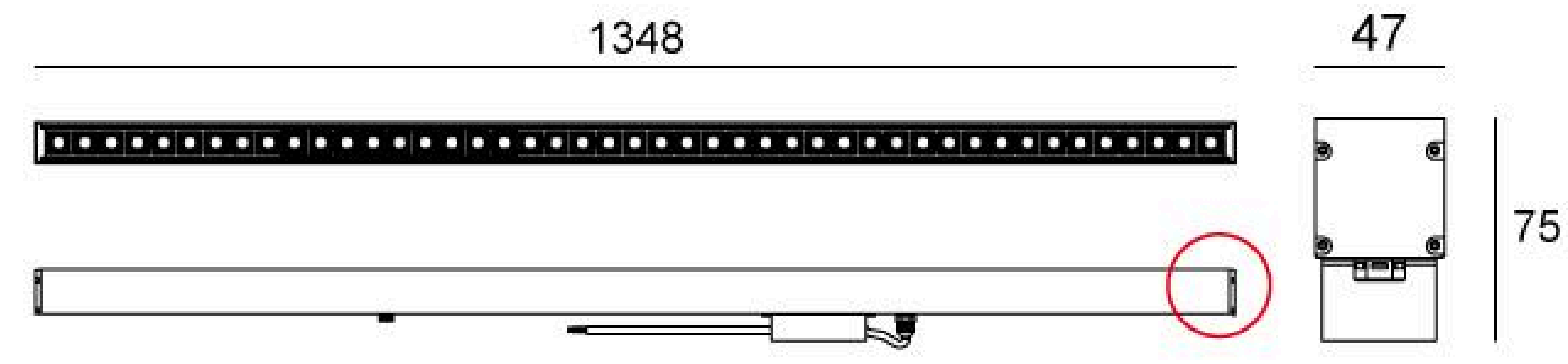


Linear Drawing

Low Voltage



High Voltage

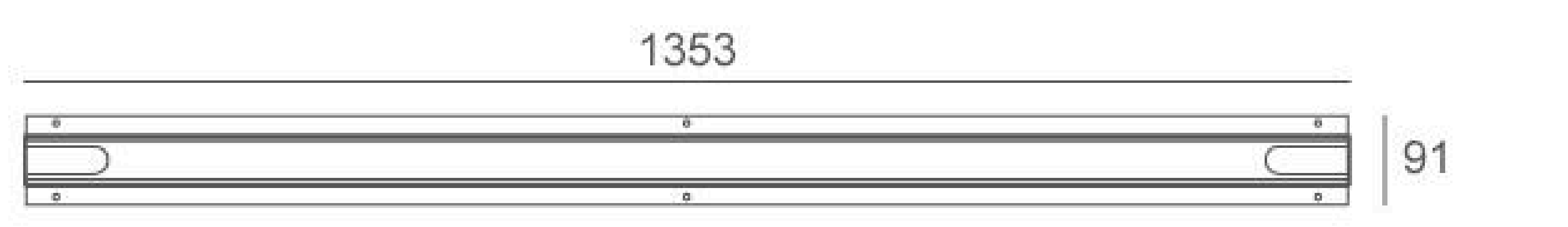


Unit: mm

Effective Beam Angle

15° 30°

Sleeve



Sleeve 290#



A IP67 Jiffy quick plug/socket connector(Included)

A IP67 Jiffy quick plug/socket connector(Option)