

# 02SKB1857

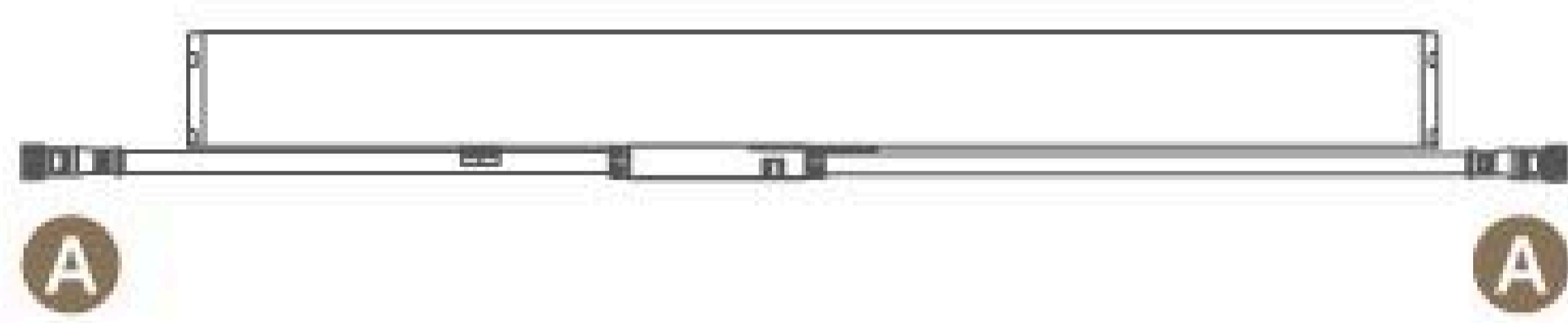
Light Source	18x1.5W
Selected Degree (°)θ1/2	30°
Input Voltage (V)	DC 24 AC 240
Operating Current (MA)	24V=1250 240V=158
Consumption (W)	24V=30 240V=35
Luminance (LM)	WW=1771
IK	10

## Specification

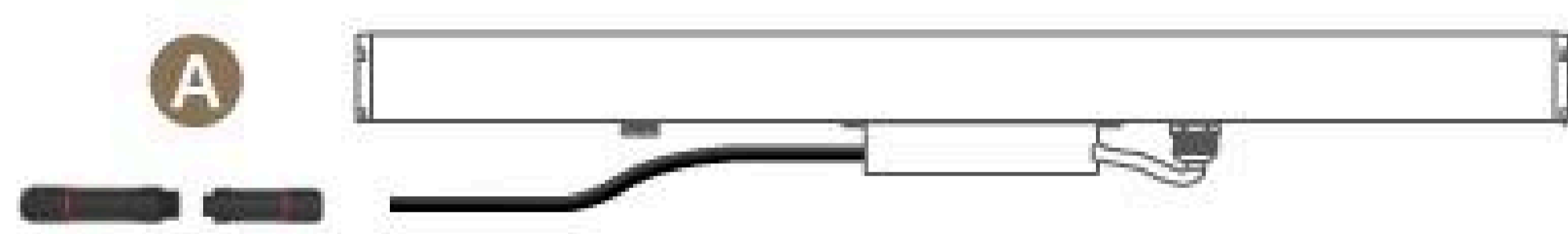
Housing	Extruded aluminum with corrosion
Light Window	Tempered glass.T=8mm
LED Type	SMD
PCB	Excellent heat conductivity aluminum.coefficient of heat Conductivity≥2.0w/mk
Gasket	Glass and housing are silicone sealed
LED Driver	Built in on/off driver
Power Cable	Outside of luminaire (Without waterstopper) 24V: H07RN-F 2×1.5mm <sup>2</sup> L=0.65m 240V:H05RN-F 3×1.0mm <sup>2</sup> L=0.3m
Mounting Sleeve	Risistance painting
Glass Pressure Capacity	2524kgs
Dimming Support	External DALI supported TRIAC, 0-10V, PWM via external driver on request
Operating Temperature	-20°C~40°C

## Water Proof Solution

Low voltage

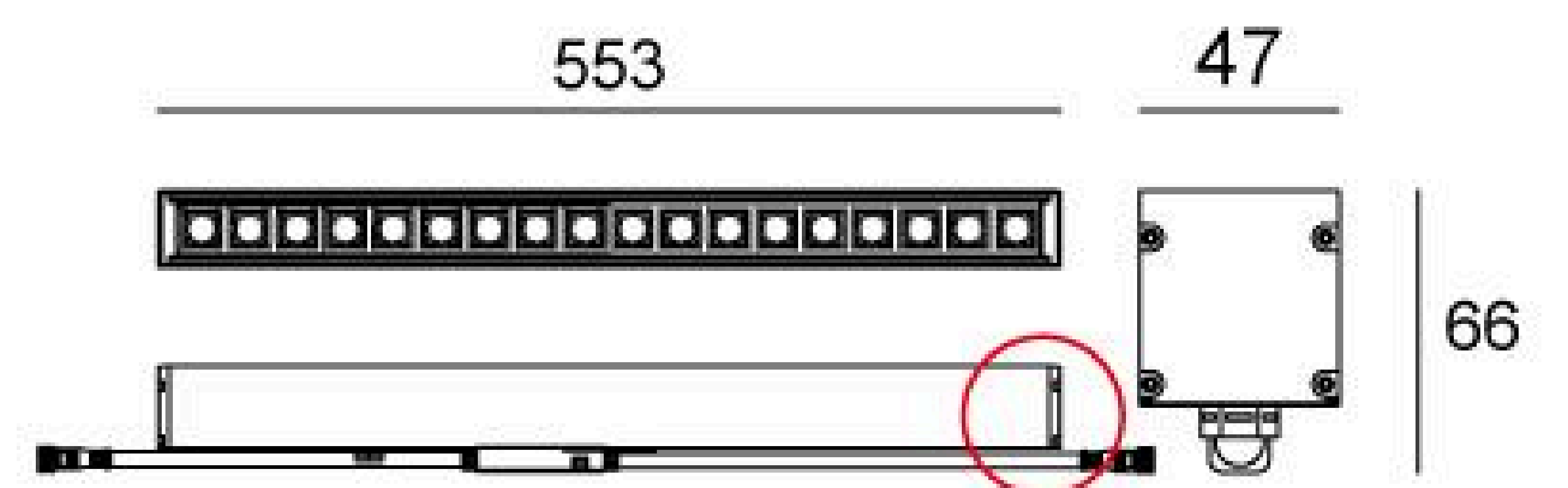


High voltage

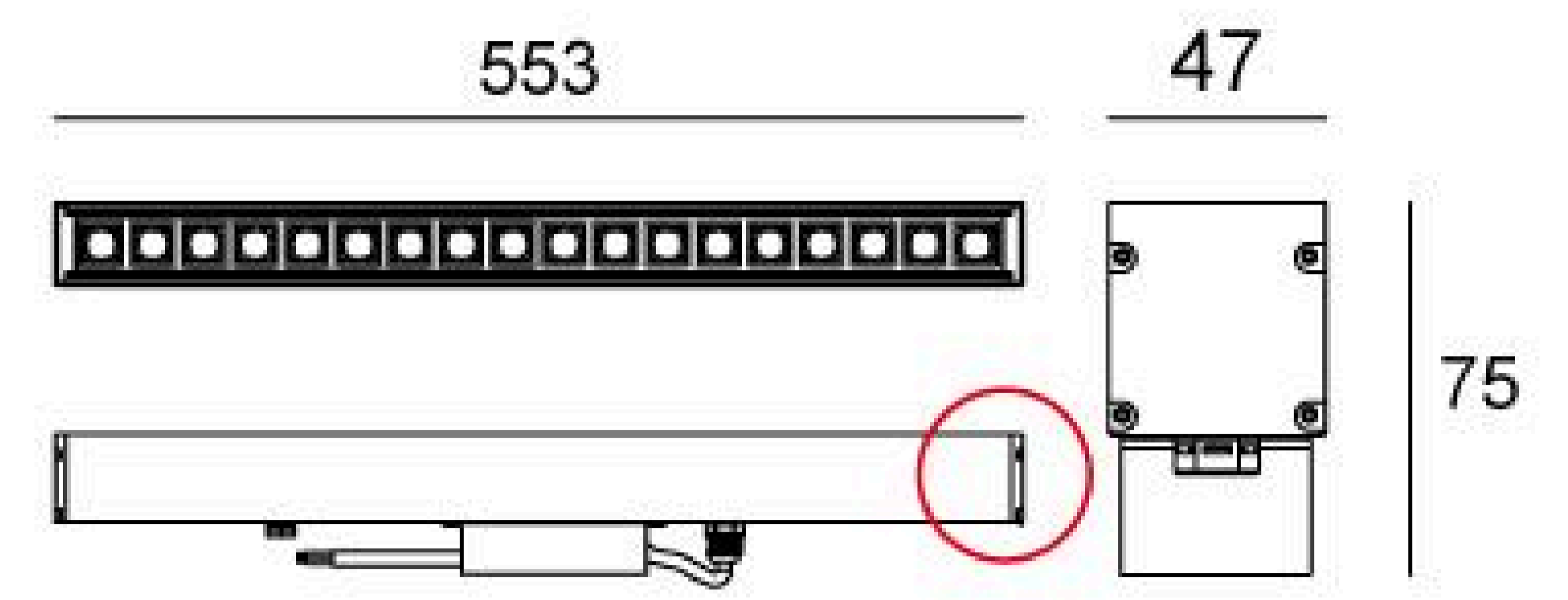


## Linear Drawing

Low Voltage



High Voltage

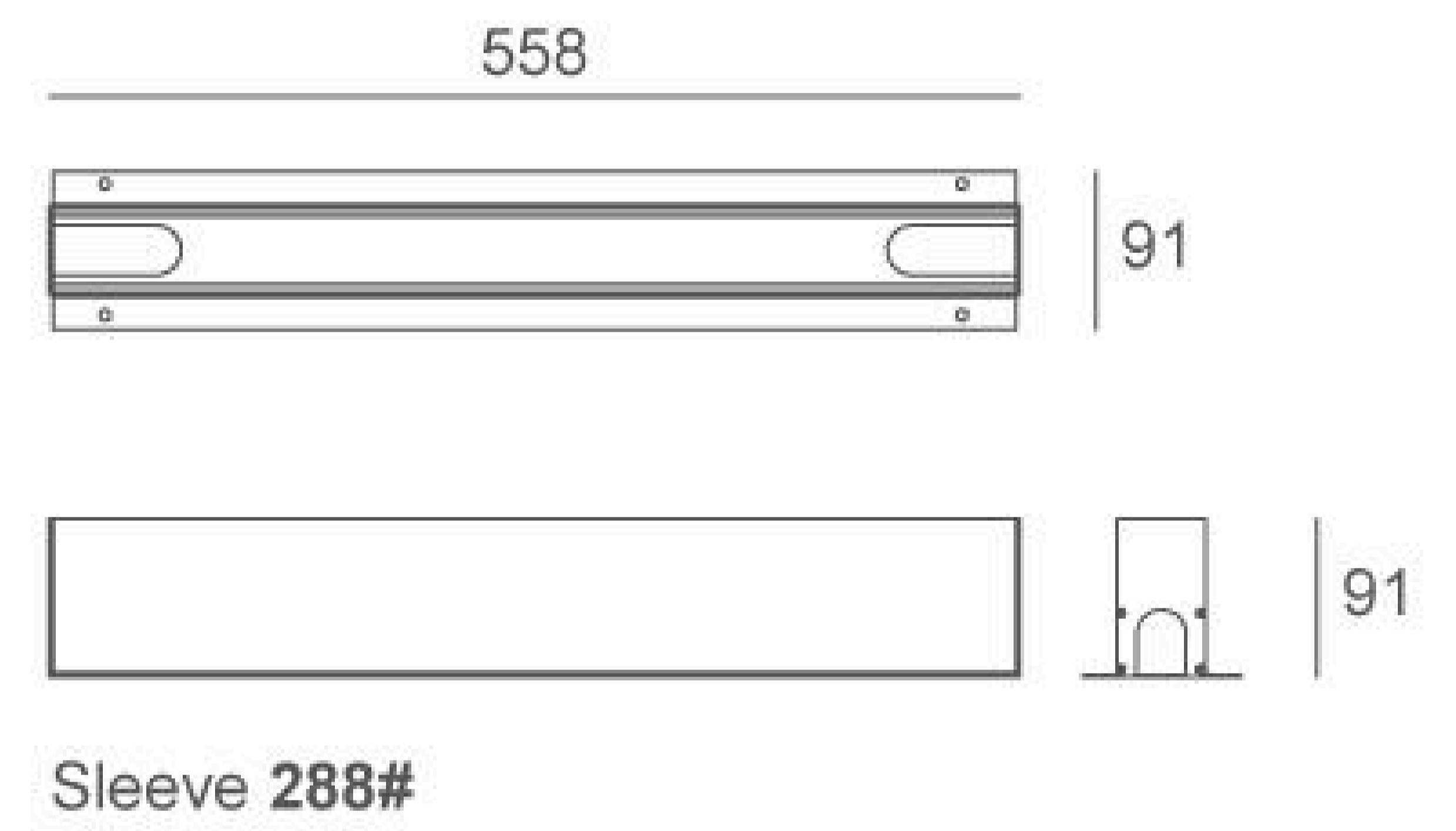


Unit: mm

## Effective Beam Angle

15° 30°

## Sleeve



**A** IP67 Jiffy quick plug/socket connector(Included)

**A** IP67 Jiffy quick plug/socket connector(Option)