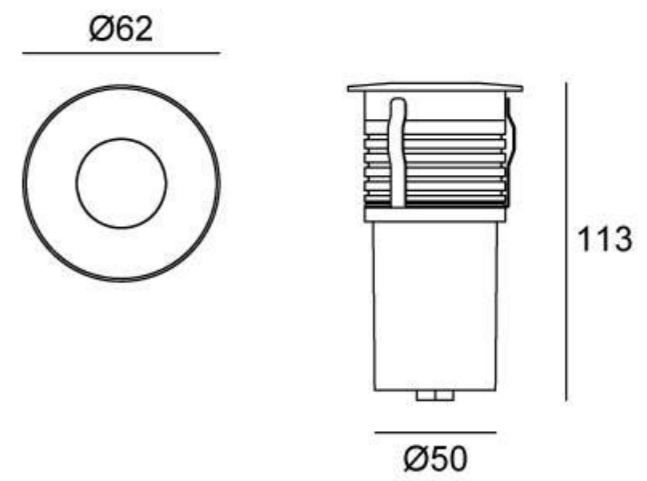


## 02IURB0125B

Light Source	1x5W
Selected Degree (°)θ1/2	20°
Input Voltage (V)	DC 240
Operating Current (MA)	240V=30
Consumption (W)	240V=6.5
Luminance (LM)	WW=544
IK	08

## Linear Drawing



Unit: mm

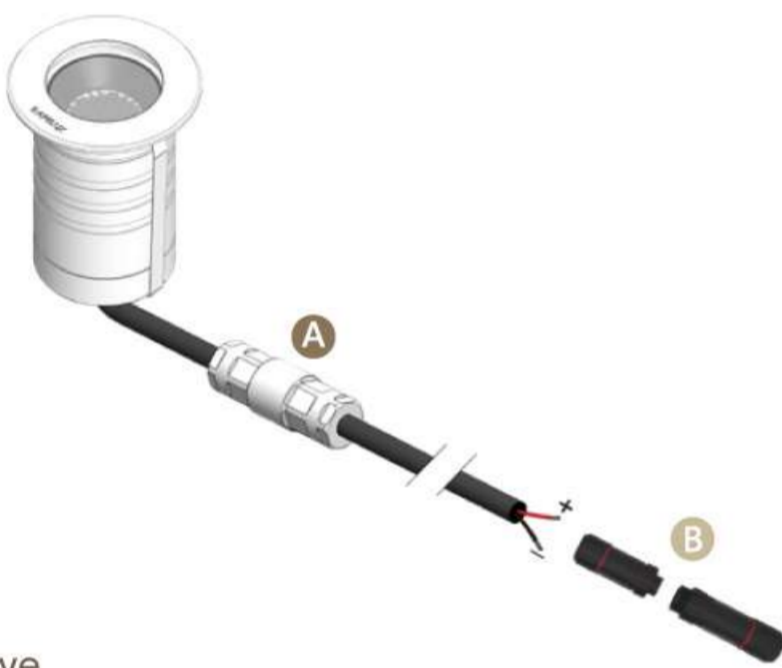
## Specification

Housing	ADC 12# Aluminum or powder painting
Front Cover	SUS 316#, Hard chrome-plated
Cable Gland	IP67 Nickel coated copper
Light Window	Tempered glass.T=8mm
Glass Pressure Capacity	2832kgs
Gasket	Silicon rubber molding shaped seal
Power Cable	Outside of luminaire (Without waterstopper) H05RN-F 3×1.0mm <sup>2</sup> , L=0.5m
LED Driver	Built in on/off driver
LED Type	COB
Sleeve	PC+ABS
Operating Temperature	-20°C~40°C

## Effective Beam Angle

25° 30° 42° 55°

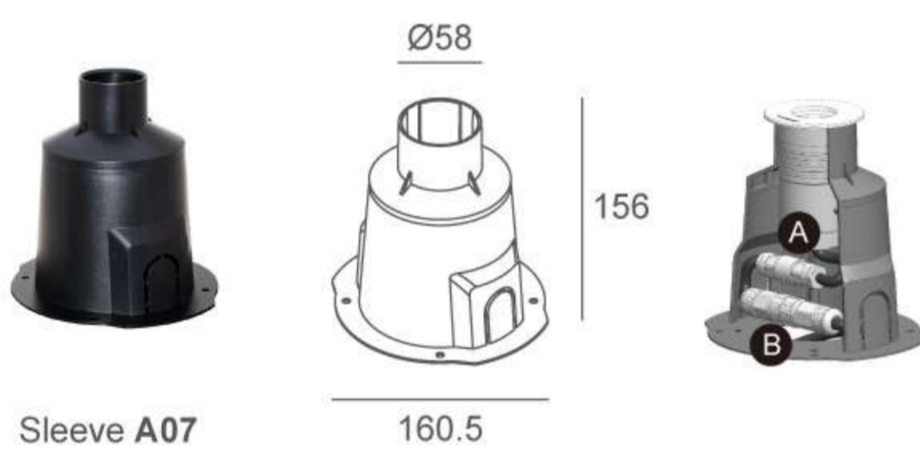
## Water Proof Solution



- A Water-Stopper(Included)**  
The luminaires produce high temperatures during use, which can create negative pressure upon power-off, drawing water vapor through the power cable. Therefore, it is essential for the device to prevent water vapor ingress with water-stopper.
- B IP67 Jiffy quick plug/socket connector(Optional)**  
Along with water-stopper, this optional accessory acts as a fail-safe device for preventing vapor getting into the fixture via power cable. It is the also the most IP-rating securing device for wiring.

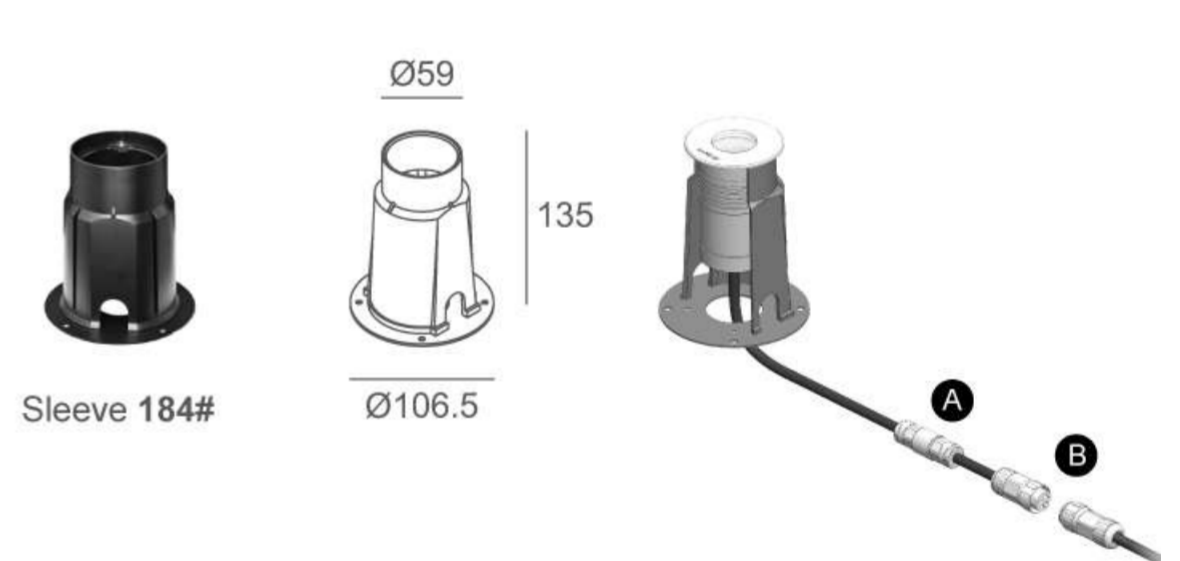
## Sleeve

### Optional 1



Sleeve A07

### Optional 2



Sleeve 184#

## Optional (Accessories)

### Anti-Glare Louver(Optional)



Mh123

### Anti-Glare Glass(Optional)



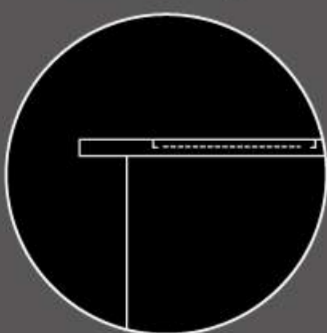
### Brown Front Cover (Optional)



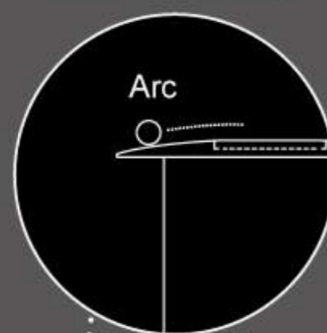
- Optional Accessory Anti-Glare Louver.
- The measured luminous flux data does not contain the Anti-Glare Louver, and the data containing is reduced 20 to 30%.

## Refined Curves

### Basic Design



### Advanced Design



1mm

Ultra-thin front cover



A variety of optional accessories