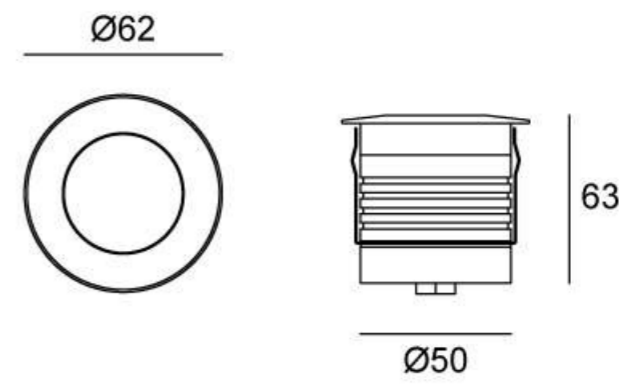


02ITRB0124B

Light Source	1x4.5W
Selected Degree (°)θ1/2	20
Input Voltage (V)	DC 24
Operating Current (MA)	24V=187
Consumption (W)	24V=4.5
Luminance (LM)	VW=355
IK	08

Linear Drawing



Unit: mm

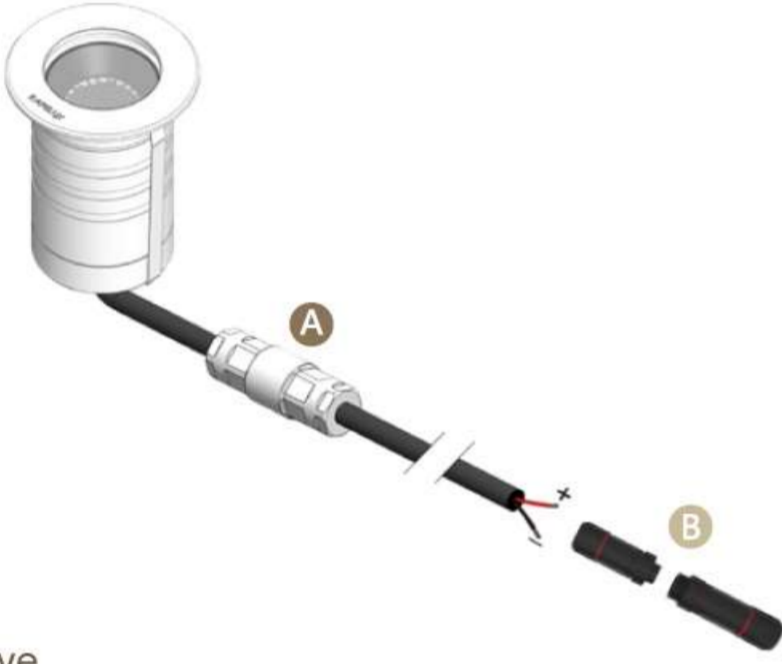
Specification

Housing	ADC 12# Aluminum or powder painting
Front Cover	SUS 316#, Hard chrome-plated
Cable Gland	IP67 Nickel coated copper
Light Window	Tempered glass.T=8mm
Glass Pressure Capacity	2832kgs
Gasket	Silicon rubber molding shaped seal
Power Cable	Outside of luminaire (Without waterstopper) 24V: H05RN-F 2×1.0mm ² , L=0.5m
LED Driver	Built in on/off driver
LED Type	COB
Sleeve	Aluminum
Operating Temperature	-20°C~40°C
Dimmable Support	External DALI supported TRIAC,0-10V, PWM via external driver on request

Effective Beam Angle

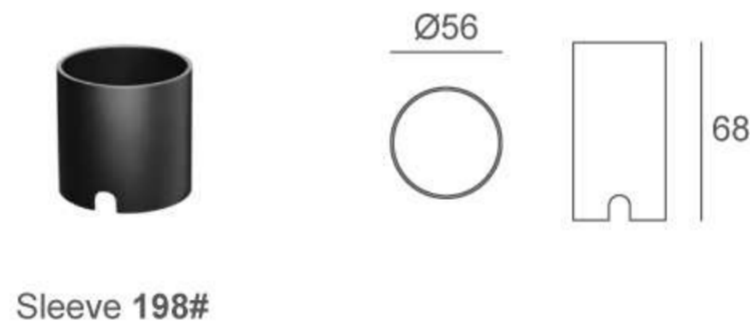
15° 20° 33° 45°

Water Proof Solution



- A Water-Stopper(Included)**
The luminaires produce high temperatures during use, which can create negative pressure upon power-off, drawing water vapor through the power cable. Therefore, it is essential for the device to prevent water vapor ingress with water-stopper.
- B IP67 Jiffy quick plug/socket connector(Option)**
Along with water-stopper, this optional accessory acts as a fail-safe device for preventing vapor getting into the fixture via power cable. It is the also the most IP-rating securing device for wiring.

Sleeve



Optional (Accessories)

Anti-Glare Louver(Option)



Anti-Glare Glass(Option)

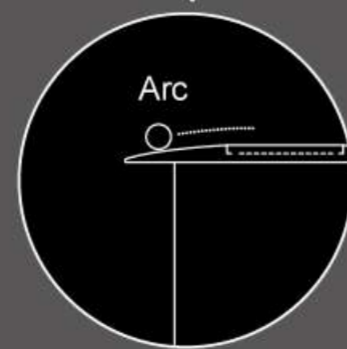
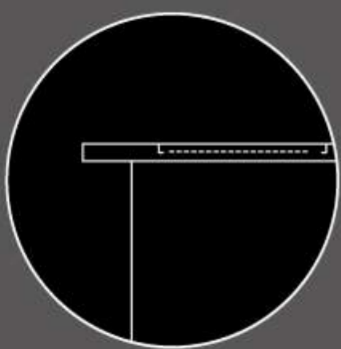


Brown Front Cover (Option)



- Optional Accessory Anti-Glare Louver.
- The measured luminous flux data does not contain the Anti-Glare Louver, and the data containing is reduced 20 to 30%.

Refined Curves



A variety of optional accessories