

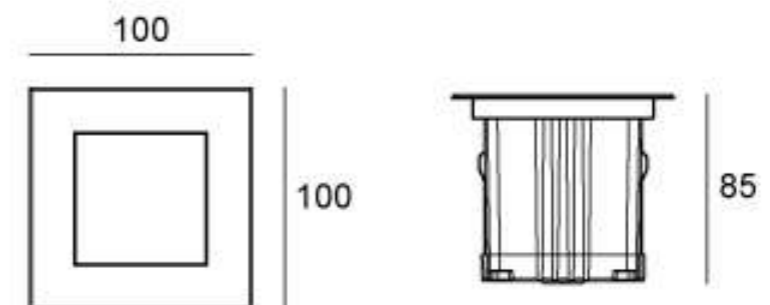
02HDR0126

Light Source	1x7W
Lens	R5
Selected Degree (°)θ1/2	25°
Input Voltage (V)	DC 24 AC 120 240
Operating Current (MA)	24V=324 120V=114 240V=66
Consumption (W)	24V=7.8 120V=8.5 240V=8.5
Luminance (LM)	WW=800
IK	06

Specification

Housing	12# Die-casting aluminum powder coated. T=60-80µm Adhesion of ISO class 1/ASTM class 4B
Front Cover	SUS 316L#, Hard chrome-plated
Front Ring	Hard Chromeplated stainless steel sus 316L#
Light Window	UVStop & Fireproof PC
Glass Pressure Capacity	901kgs
Gasket	Silicon rubber molding shaped seal
PCB	Excellent heat conductivity aluminum coefficient of heat Conductivity≥2.0w/mk
Cable Gland	IP67 copper and Nickel coated
LED Type	SMD
LED Driver	Built in on/off driver
Lens	Optical Lens.efficiency≥85%
Sleeve	PC/ABS Alloys
Power Cable	Outside of luminaire (Without waterstopper) 24V: H05RN-F 2×1.0mm ² , L=0.5m 120V/240V: H05RN-F 3×1.0mm ² , L=0.5m
Operating Temperature	-20°C~40°C
Dimming Support	External DALI supported TRIAC,0-10V, PWM via external driver on request

Linear Drawing



Unit: mm

Lens (Item Code)

Referenced Degree(°)θ1/2



18° 25° 40°

R5

Option (Anti-Glare Louver)

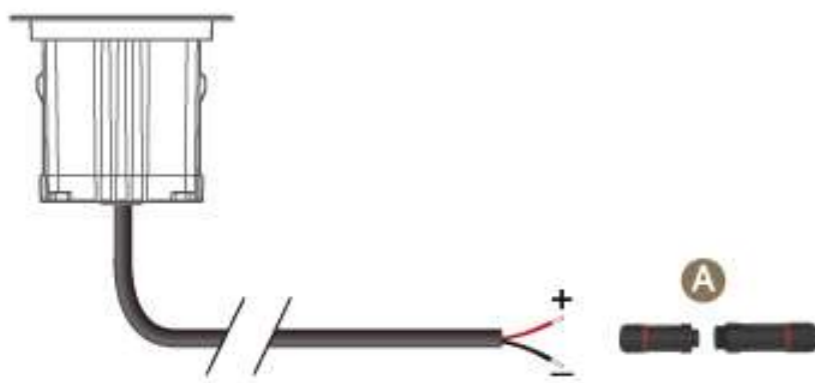


Mh125



• Optional Accessory Anti-Glare Louver.

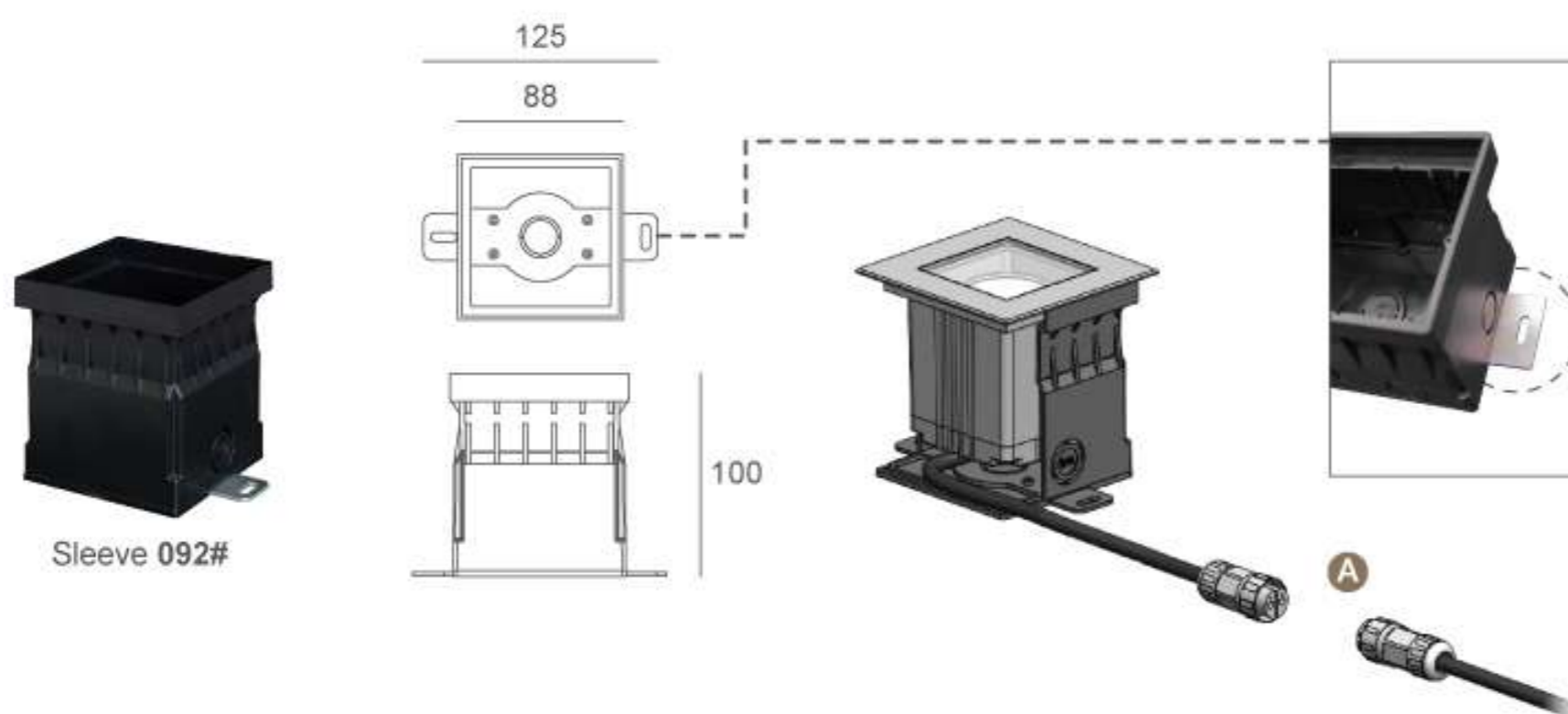
Water Proof Solution



A IP67 Jiffy quick plug/socket connector(Option)

Along with water-stopper, this optional accessory acts as a fail-safe device for preventing vapor getting into the fixture via power cable. It is the also the most IP-rating securing device for wiring.

Sleeve

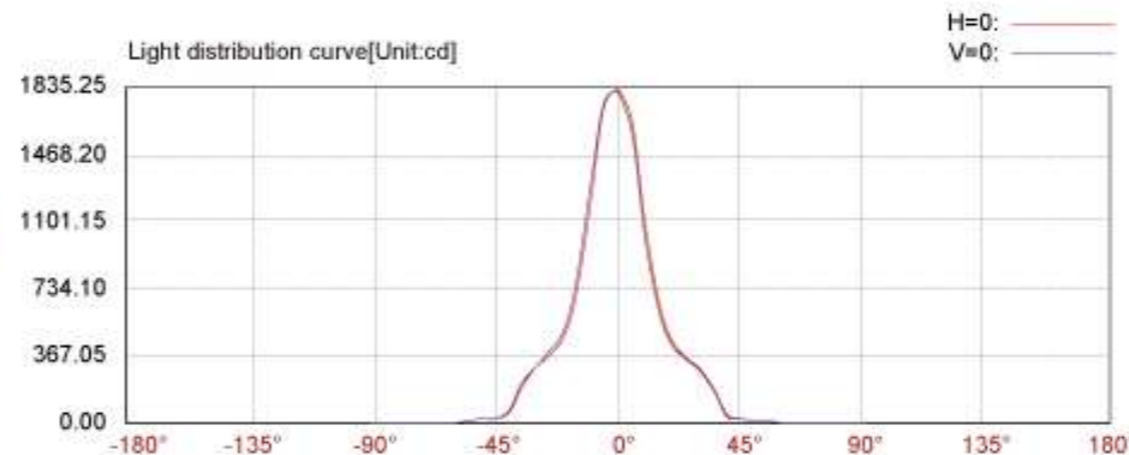
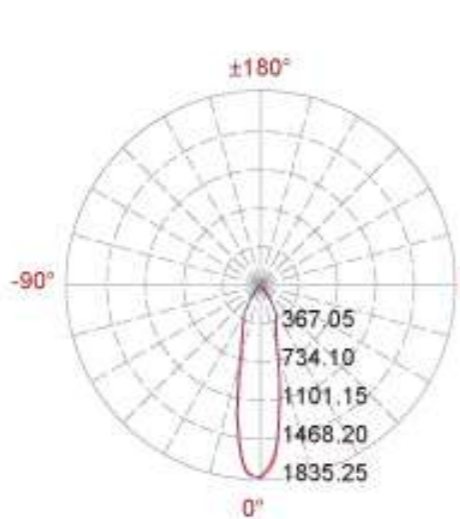
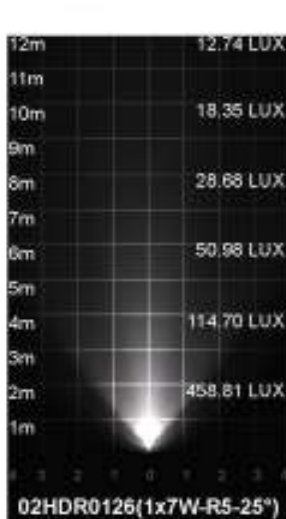


Metal Plate

- There are two metals support plate on the bottom of the Sleeve It is used for fixing and preventing the Mounting Sleeve shifting while filling the concrete.
- These will simply installer and electrician while they are recessing the Sleeves.



Photometric



Center beam LUX	Beam width V	H
458.81 LUX	1.0m	1.0m
114.70 LUX	1.9m	1.9m
50.98 LUX	2.9m	2.9m
28.68 LUX	3.8m	3.8m
18.35 LUX	4.8m	4.8m
12.74 LUX	5.8m	5.8m

Ver. Spread:27.0 Horiz Spread:27.0