

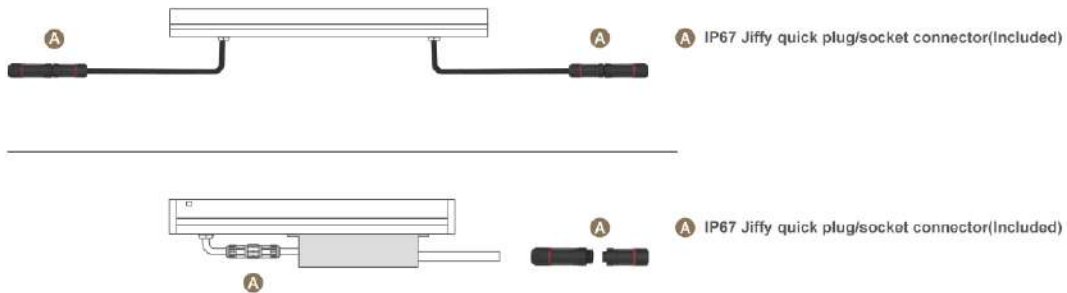
02HCD10832

Light Source	108×0.14W
Selected Degree (°)θ1/2	120°
Input Voltage (V)	DC 24 AC 240
Operating Current (MA)	24V=625 240V=85
Consumption (W)	24V=15 240V=18
Luminance (LM)	WW=525
IK	07

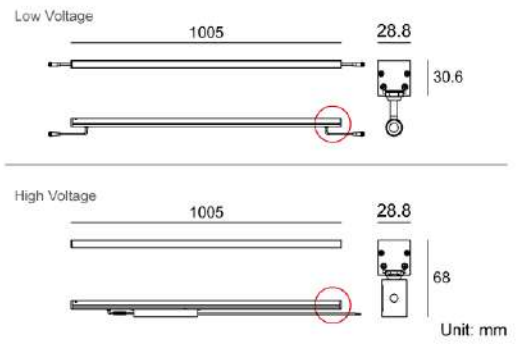
Specification

Housing	Extruded aluminum with corrosion
Light Window	Tempered glass.T=8mm
Glass Pressure Capacity	3180kgs
Cable Gland	IP67 Nickel coated copper
Gasket	Glass and housing are silicone sealed Type
LED Type	SMD
PCB	Excellent heat conductivity aluminum, coefficient of heat Conductivity≥2.0w/mk
LED Driver	Constant Voltage Input ,Constant Current Ooutput
Sleeve	Risistance painting
Operating Temperature	-20°C~40°C
Power Cable	Outside of luminaire (Without waterstopper) 24V : H03VV-F 2×0.75mm², L=0.25m 240V: H05RN-F 3×1.0mm², L=0.3m
Dimming Support	External DALI supported TRIAC,0-10V, PWM via external driver on request

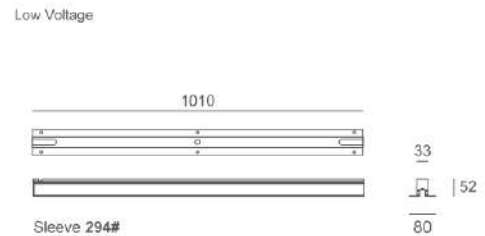
Water Proof Solution



Linear Drawing



Sleeve



High Voltage

