

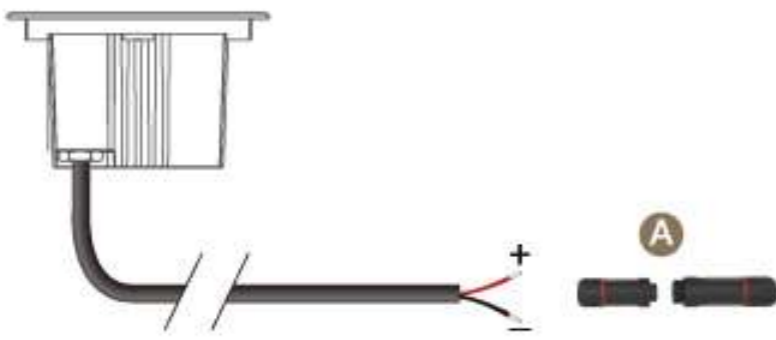
02HC0457

Light Source	4x1.5W
Lens	C20
Selected Degree (°)θ1/2	80°×60°
Input Voltage (V)	DC 24 AC 120 240
Operating Current (MA)	24V=320 120V=59 240V=33
Consumption (W)	24V=7.6 120V=7 240V=7
Luminance (LM)	WW=491
IK	09

Specification

Housing	12# Die-casting aluminum powder coated. T=60-80μm Adhesion of ISO class 1/ASTM class 4B
Front Cover	SUS 316L#, Hard chrome-plated
Front Ring	Hard Chromeplated stainless steel sus 316L#
Light Window	Tempered step glass.T=8mm
Glass Pressure Capacity	1529kgs
Gasket	Silicon rubber molding shaped seal
PCB	Excellent heat conductivity aluminum coefficient of heat Conductivity≥2.0w/mk
Cable Gland	IP67 copper and Nickel coated
LED Type	SMD
LED Driver	Built in on/off driver
Lens	Optical Lens.efficiency≥85%
Sleeve	PC/ABS Alloys
Power Cable	Outside of luminaire (Without waterstopper) 24V: H05RN-F 2×1.0mm ² , L=0.5m 120V/240V: H05RN-F 3×1.0mm ² , L=0.5m
Operating Temperature	-20°C~40°C
Dimming Support	External DALI supported TRIAC,0-10V, PWM via external driver on request

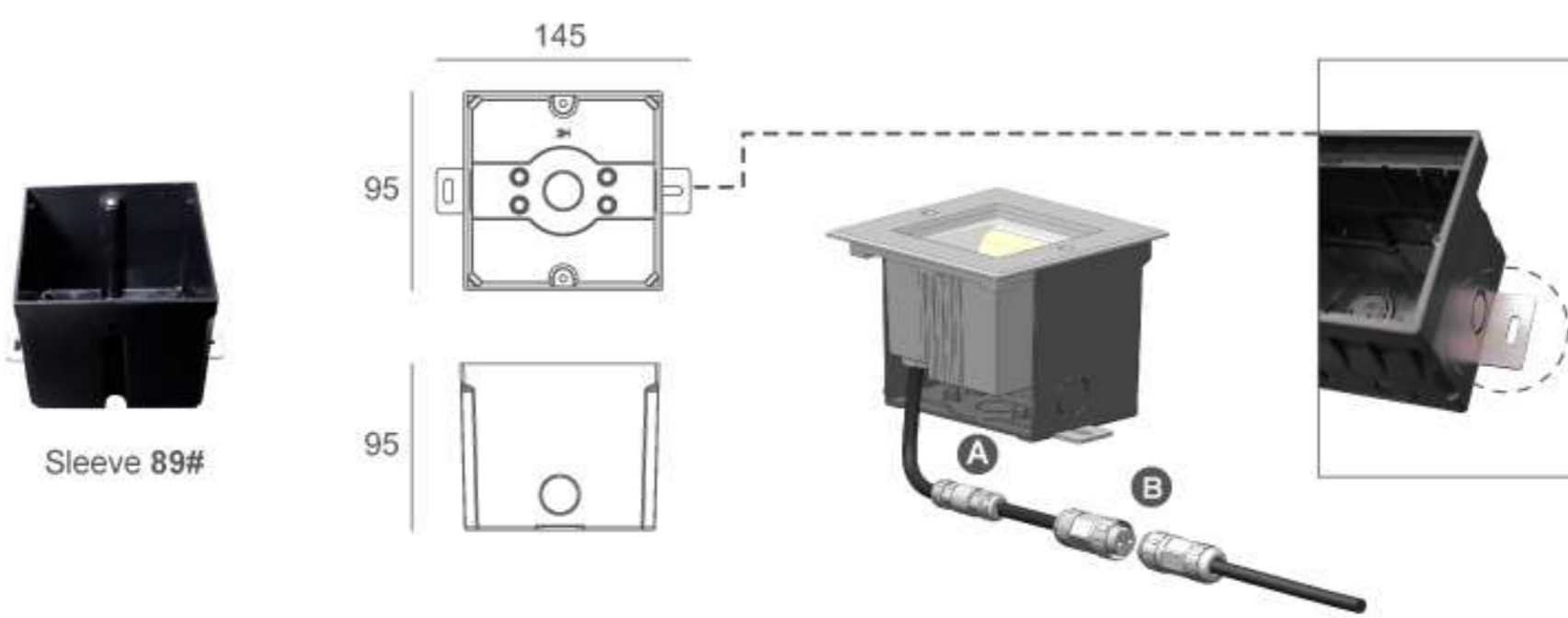
Water Proof Solution



A IP67 Jiffy quick plug/socket connector(Option)

Along with water-stopper, this optional accessory acts as a fail-safe device for preventing vapor getting into the fixture via power cable. It is the also the most IP-rating securing device for wiring.

Sleeve



Metal Plate

- There are two metals support plate on the bottom of the Sleeve It is used for fixing and preventing the Mounting Sleeve shifting while filling the concrete.
- These will simply installer and electrician while they are recessing the Sleeves.



Photometric

