

02GBCB2456

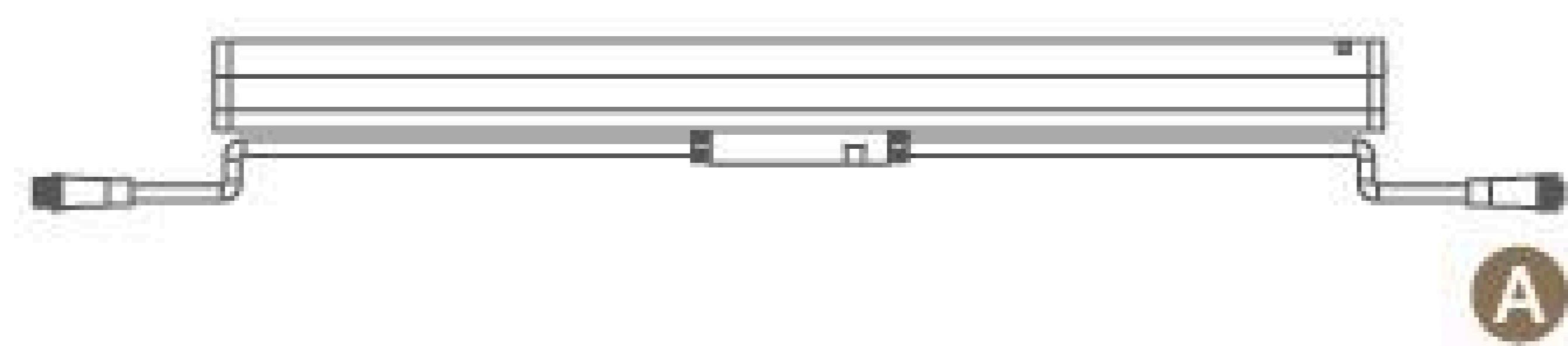
Light Source	24x0.7W
Selected Degree (°)θ1/2	30°
Input Voltage (V)	DC 24 AC 120 240
Operating Current (MA)	24V=750 120V=195 240V=104
Consumption (W)	24V=18 120V=23.2 240V=23.2
Luminance (LM)	VW=795
IK	08

Specification

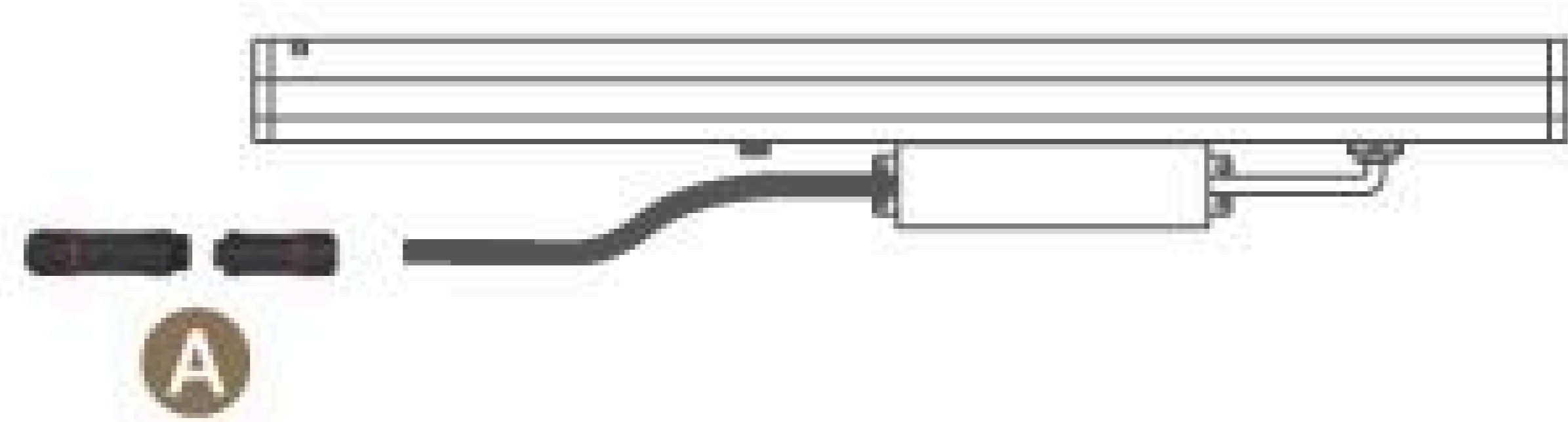
Housing	Extruded aluminum with corrosion
Light Window	Tempered glass.T=8mm
LED Type	SMD
Gasket	Glass and housing are silicone sealed
LED Driver	Built in on/off driver
Power Cable	Outside of luminaire (Without waterstopper) 24V: H07RN-F 2×1.5mm ² L=0.65m 120/240V: H05RN-F 3×1.0mm ² L=0.3m
Mounting Sleeve	Risistance painting
Glass Pressure Capacity	2769kgs
Dimming Support	External DALI supported TRIAC,0-10V, PWM via external driver on request
Operating Temperature	-20°C~40°C

Water Proof Solution

Low voltage

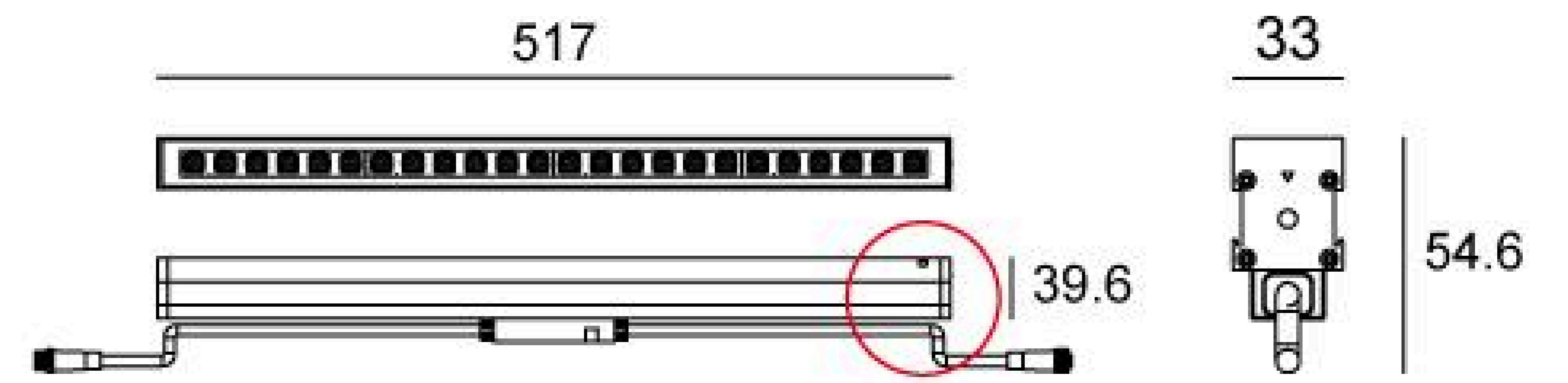


High voltage

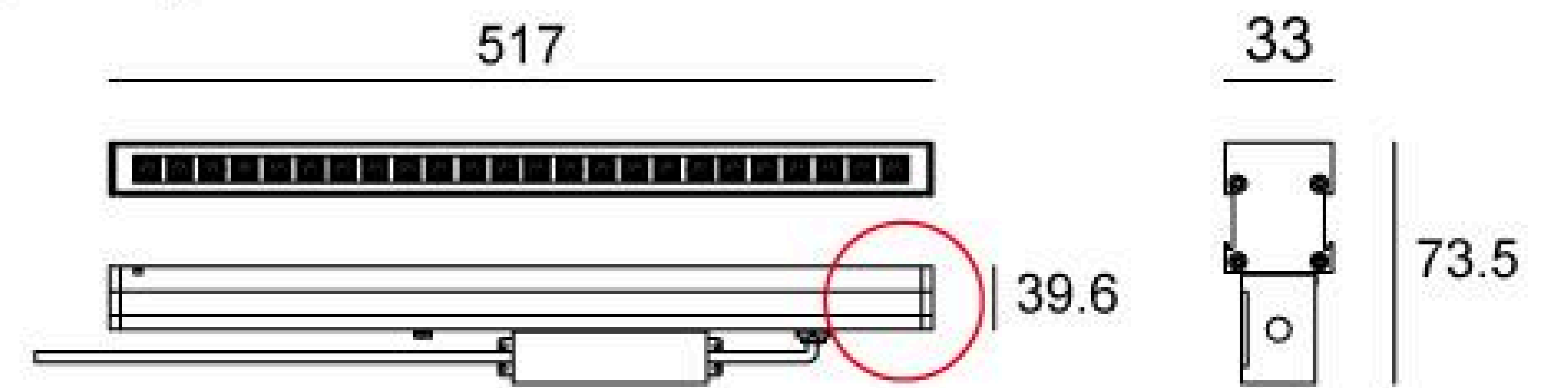


Linear Drawing

Low Voltage



High Voltage



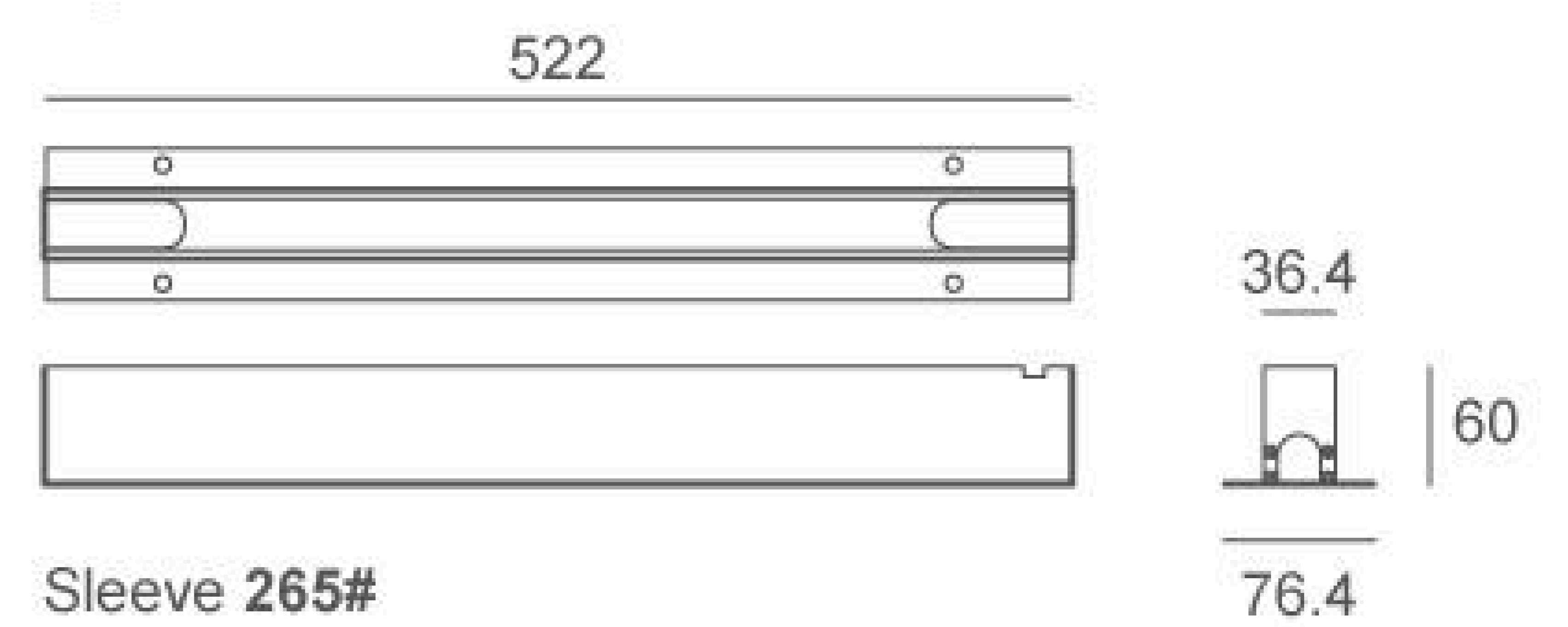
Unit: mm

Effective Beam Angle

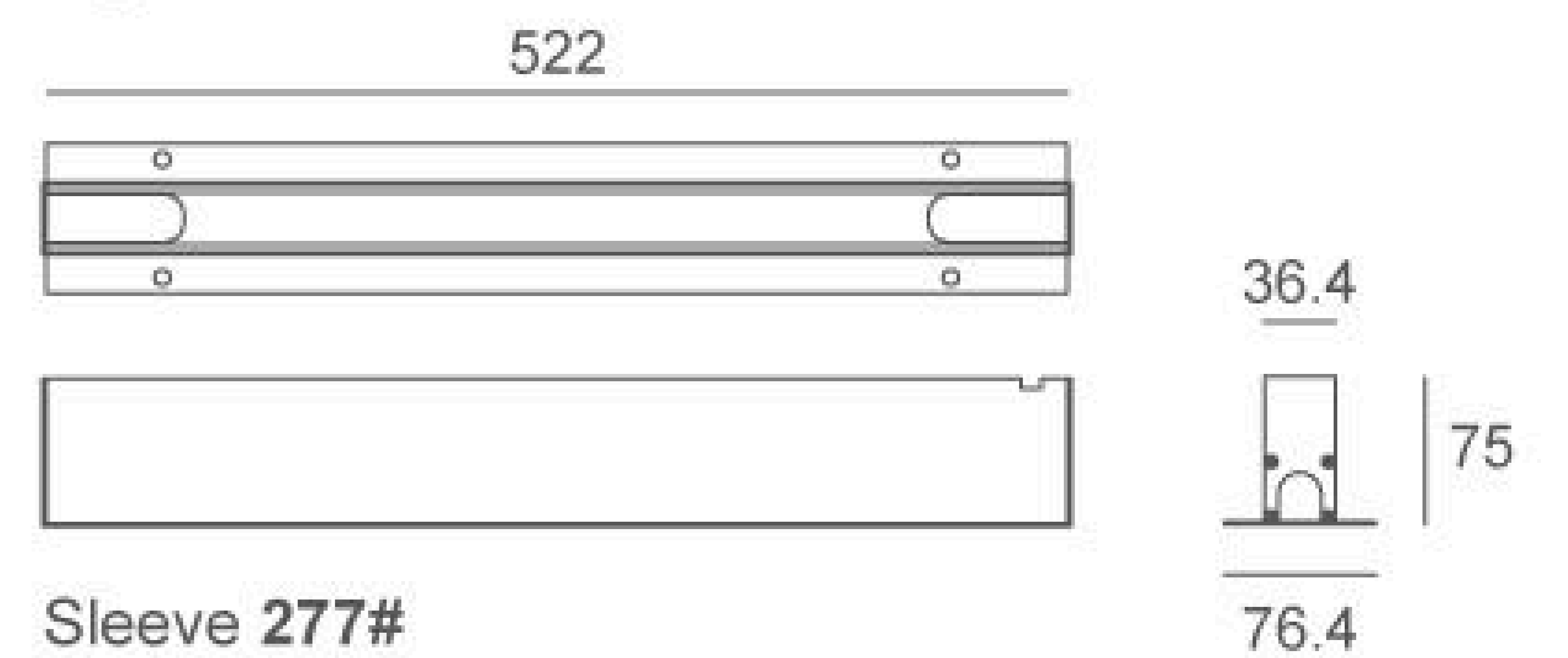
30° 25° x 40°

Sleeve

Low Voltage



High Voltage



A IP67 Jiffy quick plug/socket connector(Included)

A IP67 Jiffy quick plug/socket connector(Option)



This product comes with not only a recessed sleeve for wall light mode but also a pair of bracket for surface mounting. With a simple and elegant design, it is convenient to adjust the angle of the housing, allowing this product to be more flexibly applied in your architectural design.

