

## 02GBCB1256

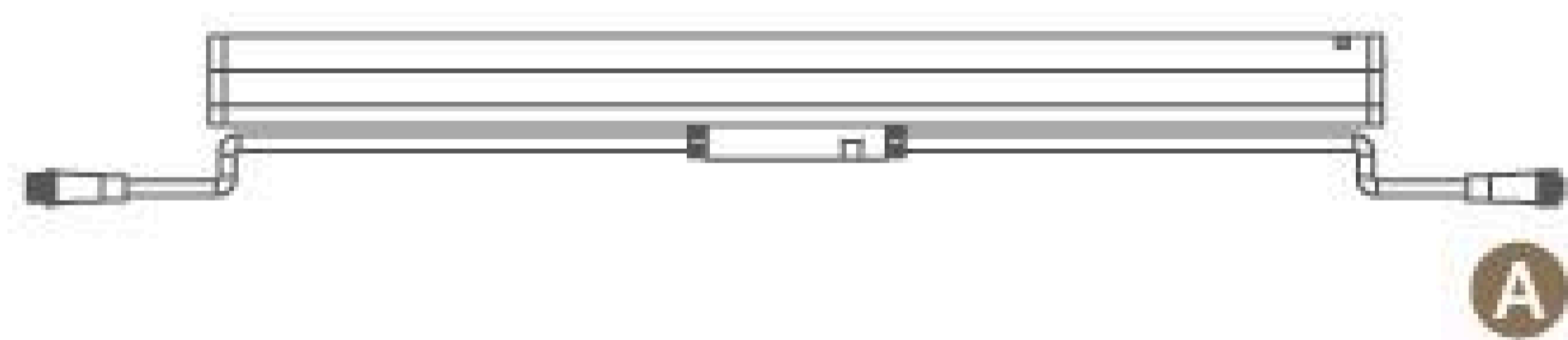
|                         |                         |
|-------------------------|-------------------------|
| Light Source            | 12x0.7W                 |
| Selected Degree (°)θ1/2 | 30°                     |
| Input Voltage (V)       | DC 24 AC 120 240        |
| Operating Current (MA)  | 24V=375 120V=99 240V=60 |
| Consumption (W)         | 24V=9 120V=11.7 240V=12 |
| Luminance (LM)          | VW=400                  |
| IK                      | 08                      |

### Specification

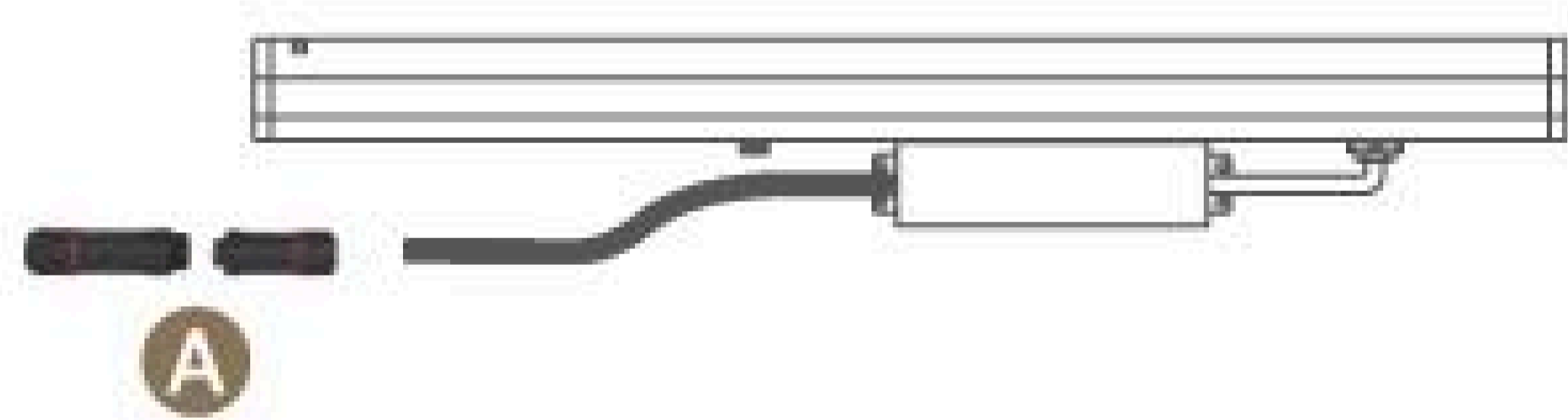
|                         |  |
|-------------------------|--|
| Housing                 | Extruded aluminum with corrosion   |
| Light Window            | Tempered glass.T=8mm   |
| LED Type                | SMD  |
| Gasket                  | Glass and housing are silicone sealed  |
| LED Driver              | Built in on/off driver   |
| Power Cable             | Outside of luminaire (Without waterstopper)<br>24V: H07RN-F 2×1.5mm <sup>2</sup> L=0.4m<br>120/240V: H05RN-F 3×1.0mm <sup>2</sup> L=0.3m |
| Mounting Sleeve         | Risistance painting  |
| Glass Pressure Capacity | 2769kgs  |
| Dimming Support         | External DALI supported TRIAC,0-10V, PWM via external driver on request  |
| Operating Temperature   | -20°C~40°C   |

### Water Proof Solution

Low voltage

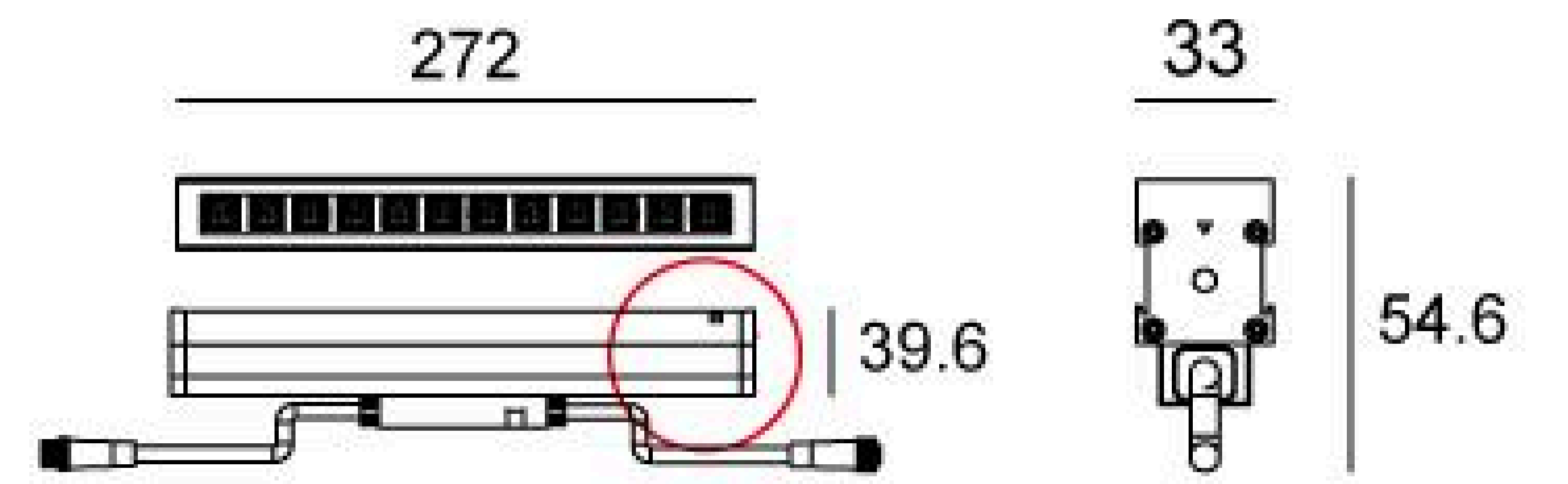


High voltage

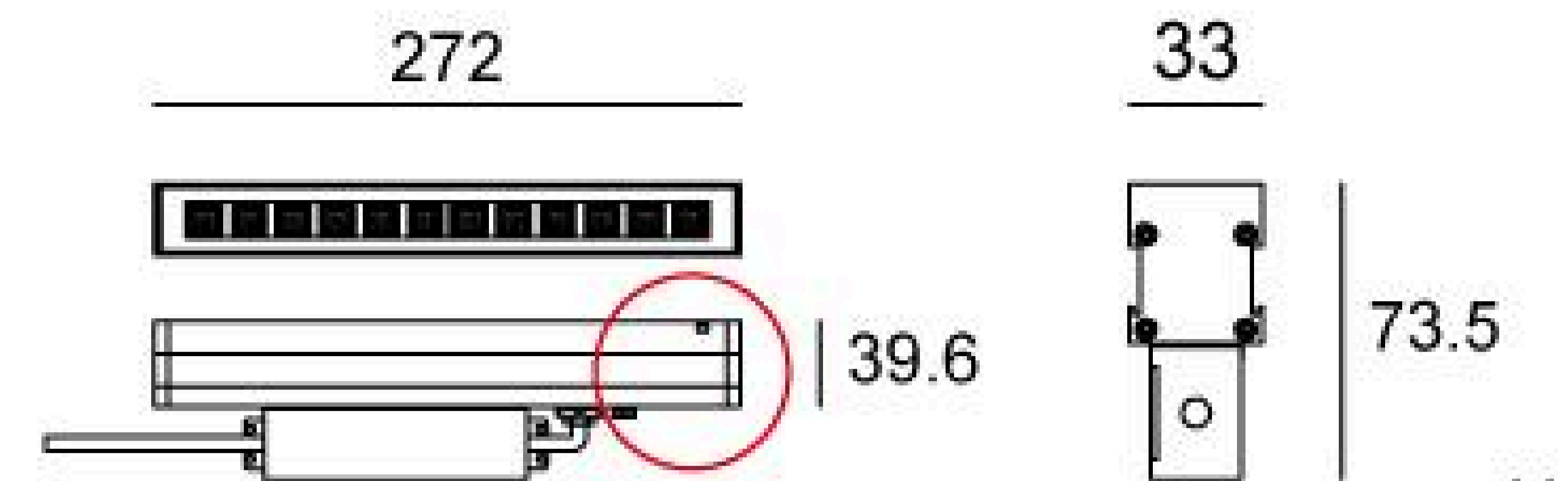


### Linear Drawing

Low Voltage



High Voltage



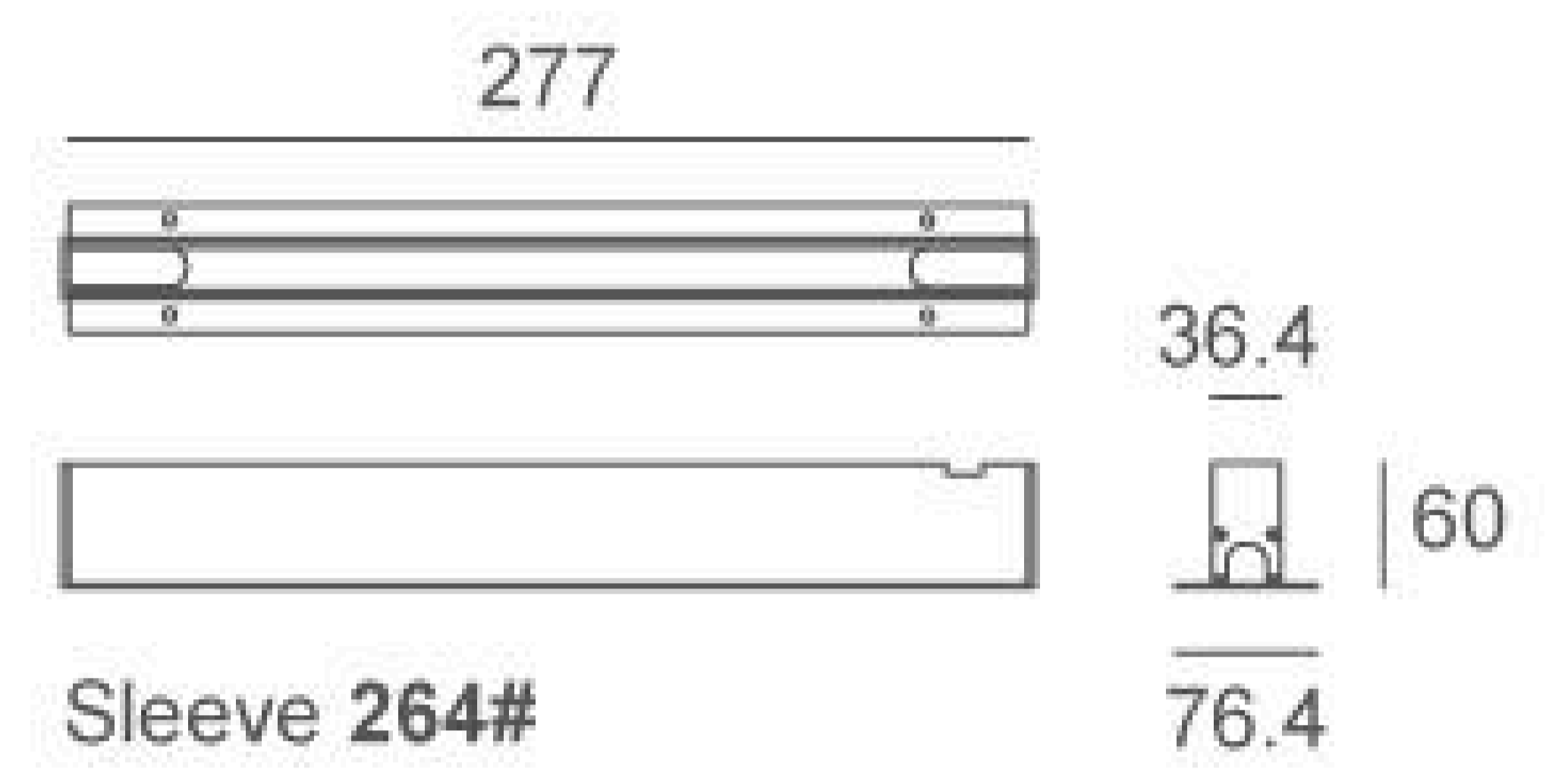
Unit: mm

### Effective Beam Angle

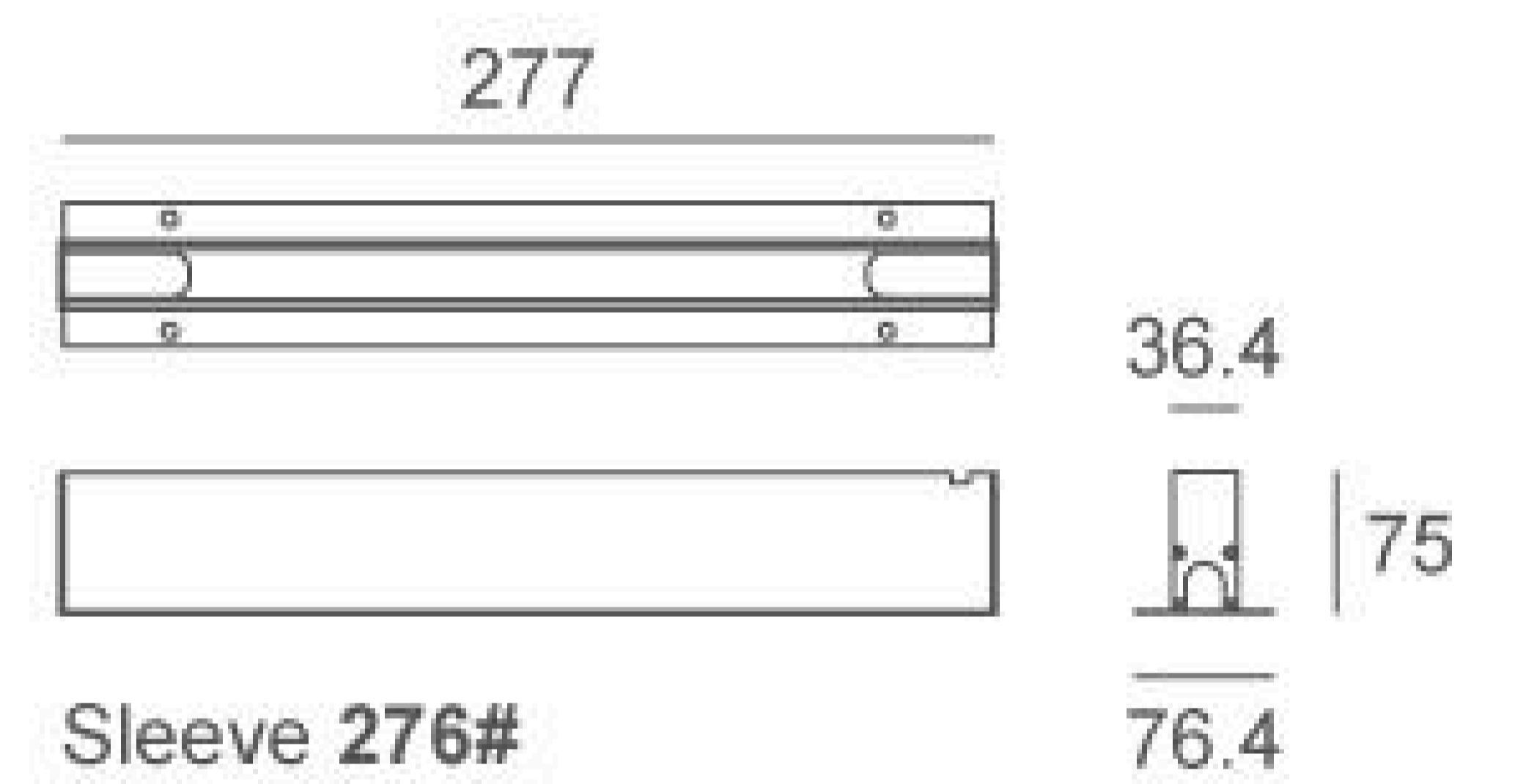
30° 25° x 40°

### Sleeve

Low Voltage



High Voltage



**A** IP67 Jiffy quick plug/socket connector(Included)

**A** IP67 Jiffy quick plug/socket connector(Option)



This product comes with not only a recessed sleeve for wall light mode but also a pair of bracket for surface mounting. With a simple and elegant design, it is convenient to adjust the angle of the housing, allowing this product to be more flexibly applied in your architectural design.

