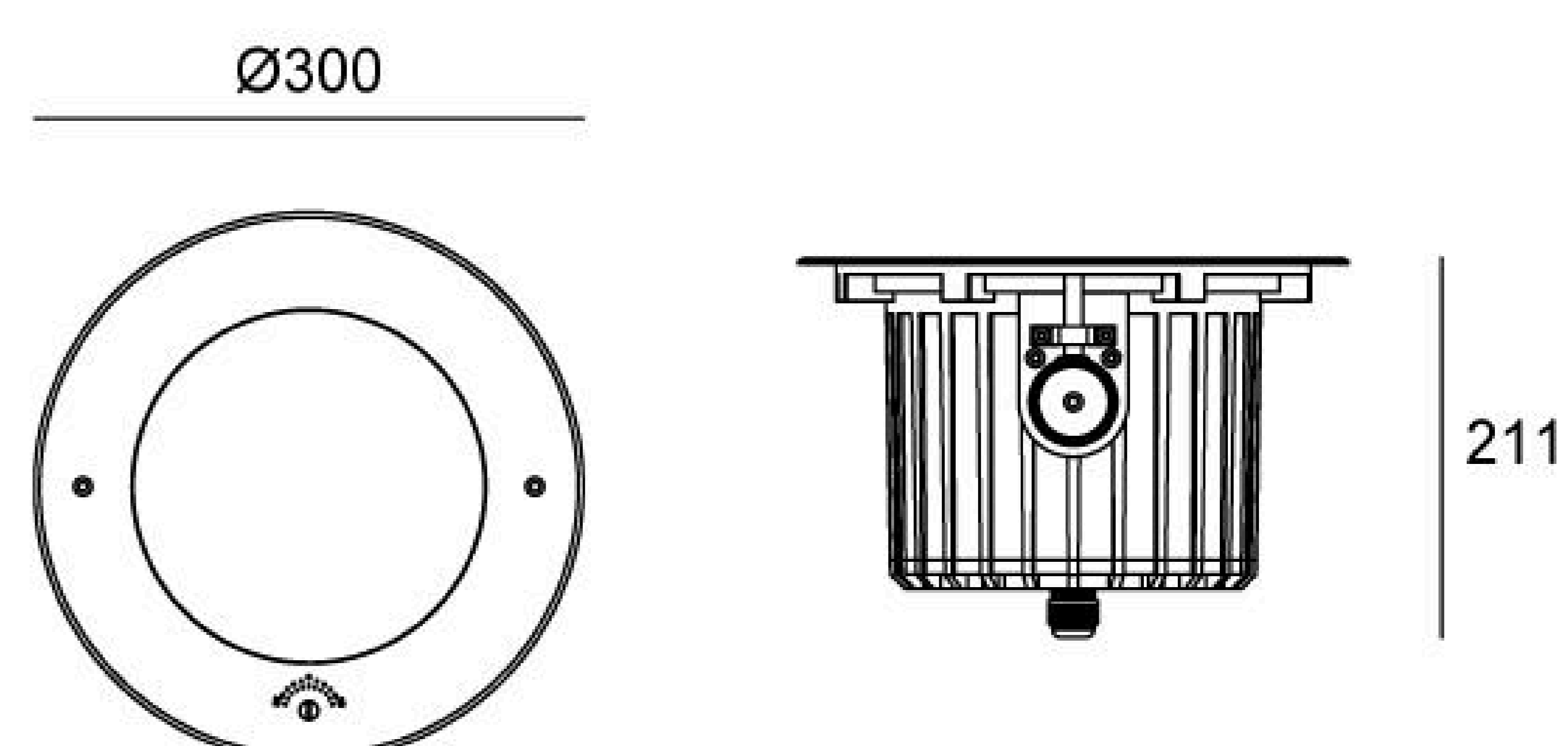


02DMRXB0174

Light Source	1x30W
Lens	B121
Selected Degree (°)θ1/2	28°
Input Voltage (V)	DC 24 AC 240
Operating Current (MA)	24V=1375 240V=148
Consumption (W)	24V=33 240V=33
Luminance (LM)	WW=3100
IK	10

Linear Drawing



Unit: mm

Specification

Housing	12# Die-casting aluminum powder coated. T=60-80μm Adhesion of ISO class 1/ATM class 4B
Front Cover	SUS 316L#, Hard chrome-plated
Light Window	Tempered step glass.T=10mm
Glass Pressure Capacity	5356kgs
Cable Gland	IP68 PG-13.5 PA66
Operating Temperature	-20°C~40°C
Gasket	Silicon rubber molding shaped seal
Sleeve Material	PC/ABS ALLOYS
Reflector	Optical Reflector efficiency≥90%
LED Type	COB
LED Driver	Built in on/off driver
Power Cable	Outside of luminaire (Without waterstopper) 24V: H07RN-F 2×1.0mm², L=0.5m 240V: H07RN-F 3×1.0mm², L=0.5m

Lens (Item Code)

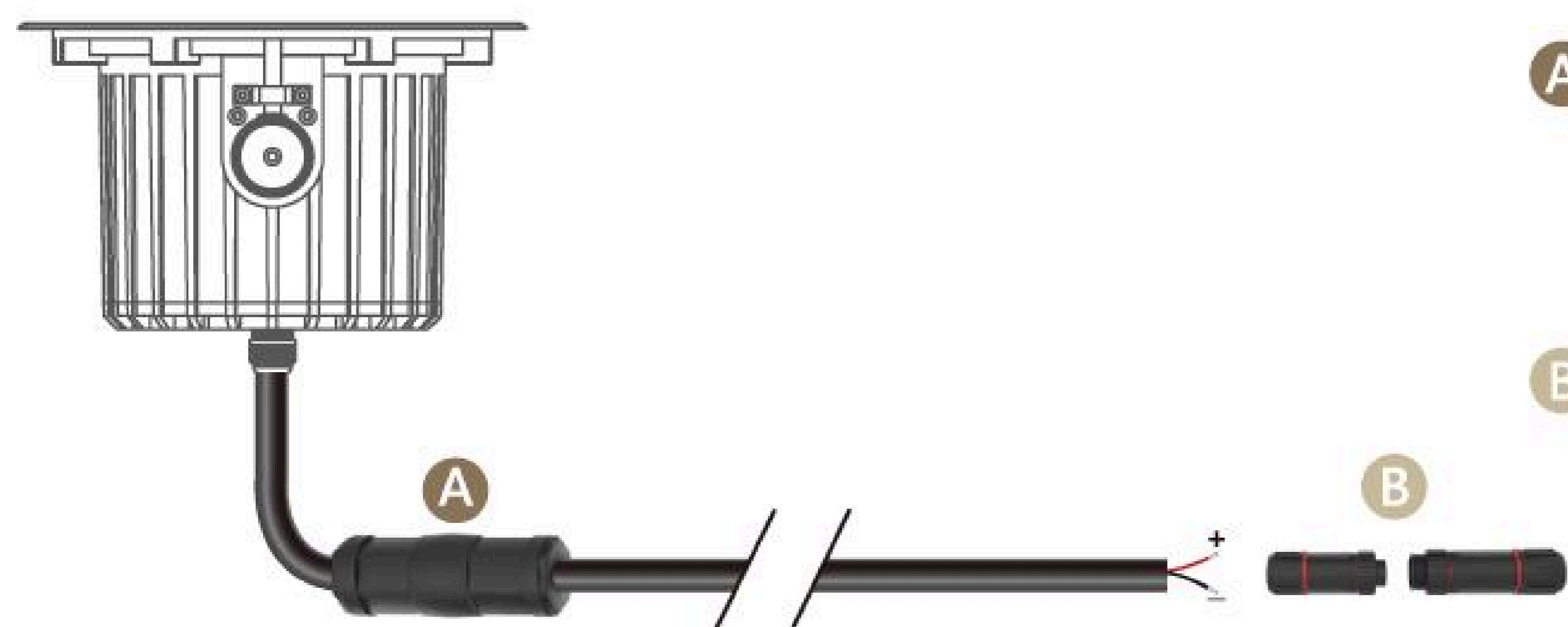
Referenced Degree(°)θ1/2



B121

28° 45° 60°

Water Proof Solution



A Water-Stopper(Included)

The luminaires produce high temperatures during use, which can create negative pressure upon power-off, drawing water vapor through the power cable. Therefore, it is essential for the device to prevent water vapor ingress with water-stopper.

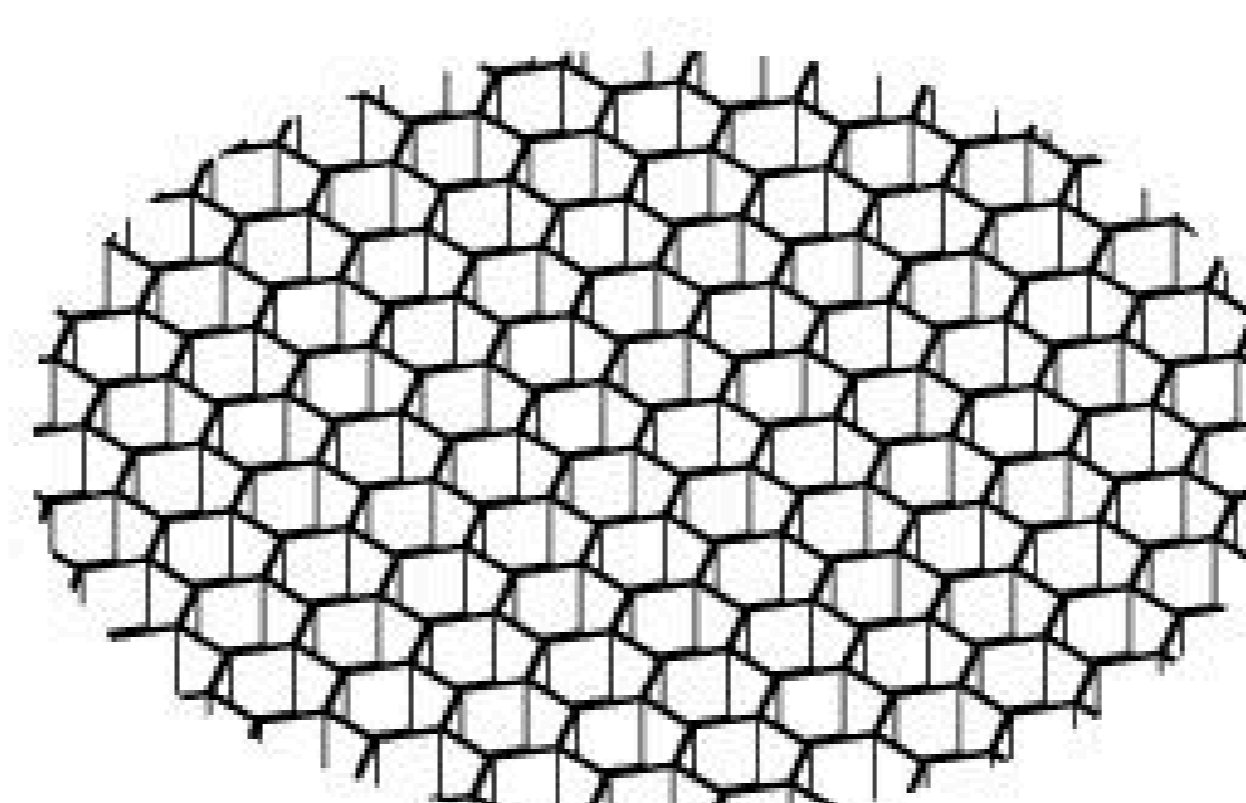
B IP67 Jiffy quick plug/socket connector(Option)

Along with water-stopper, this optional accessory acts as a fail-safe device for preventing vapor getting into the fixture via power cable. It is the also the most IP-rating securing device for wiring.

Sleeve



Honeycomb Louver



Mh118

- Optional Accessory Honeycomb Louver.
- The measured luminous flux data does not contain the honeycomb, and the data containing is reduced 20 to 30%.

New mechanism design for adjusting the swing angle

When you need to adjust the swing structure (adjust the irradiation angle), there is no need to disassemble the entire lamp body. The new swing angle adjustment structure is on the face cover. With just a screwdriver, you can easily adjust the swing angle. It comes with accurate scales, making the subsequent adjustment of the light irradiation angle work time-saving and labor-saving!

