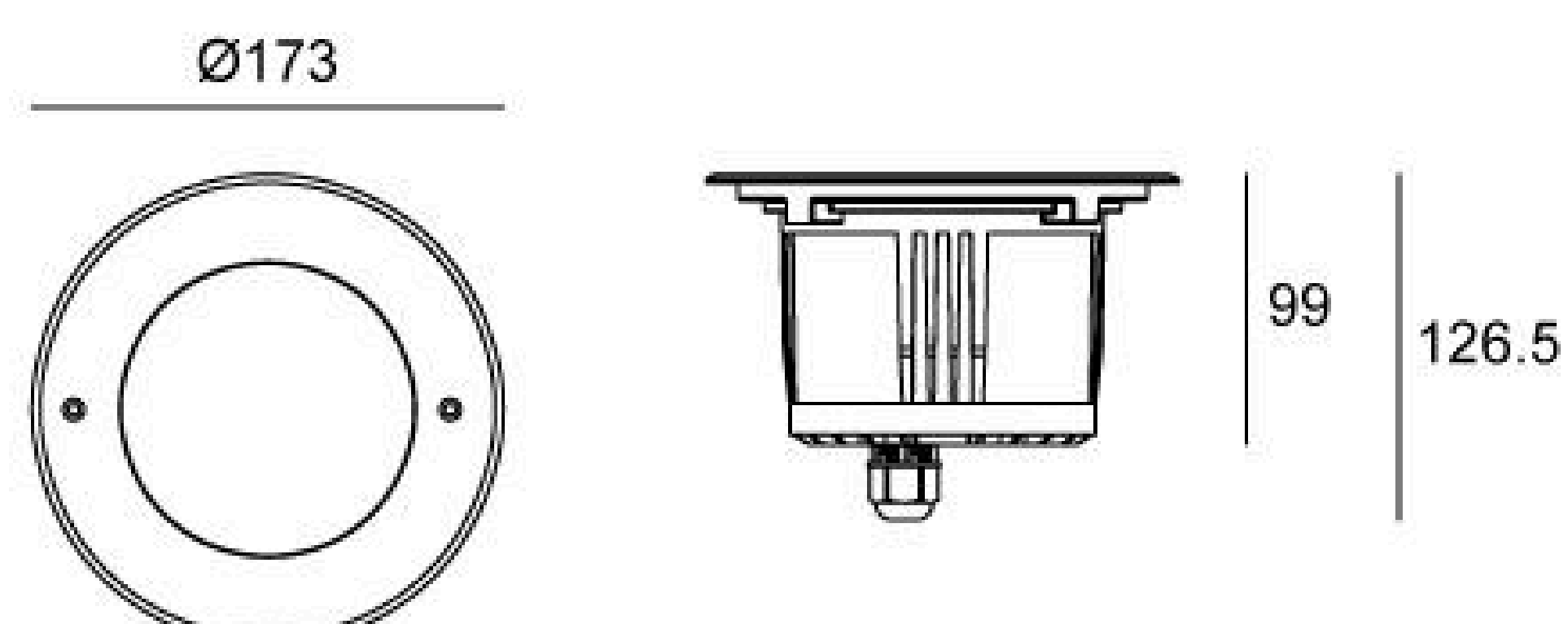


## 02DGRB0129

Light Source	1x12W
Lens	B66
Selected Degree (°)θ1/2	25°
Input Voltage (V)	DC 24 AC 120 240
Operating Current (MA)	24V=560 120V=114 240V=68
Consumption (W)	24V=13.4 120V=13.5 240V=15
Luminance (LM)	VVV=1350
IK	08

## Linear Drawing



Unit: mm

## Specification

Housing	12# Die-casting aluminum powder coated. T=60-80µm Adhesion of ISO class 1/ATM class 4B
Front Cover	SUS 316L#, Hard chrome-plated
Light Window	Tempered step glass.T=8mm
Glass Pressure Capacity	2621kgs
Cable Gland	IP68 PG-11 PA66
Operating Temperature	-20°C~40°C
Gasket	Silicon rubber molding shaped seal
Sleeve Material	PC/ABS ALLOYS
Reflector	Optical Reflector efficiency≥90%
LED Type	COB
LED Driver	Built in on/off driver
Power Cable	Outside of luminaire (Without waterstopper) H07RN-F 2X1.0mm <sup>2</sup> L=0.5m(low voltage) H07RN-F 3X1.0mm <sup>2</sup> L=0.5m(high voltage)

## Lens (Item Code)

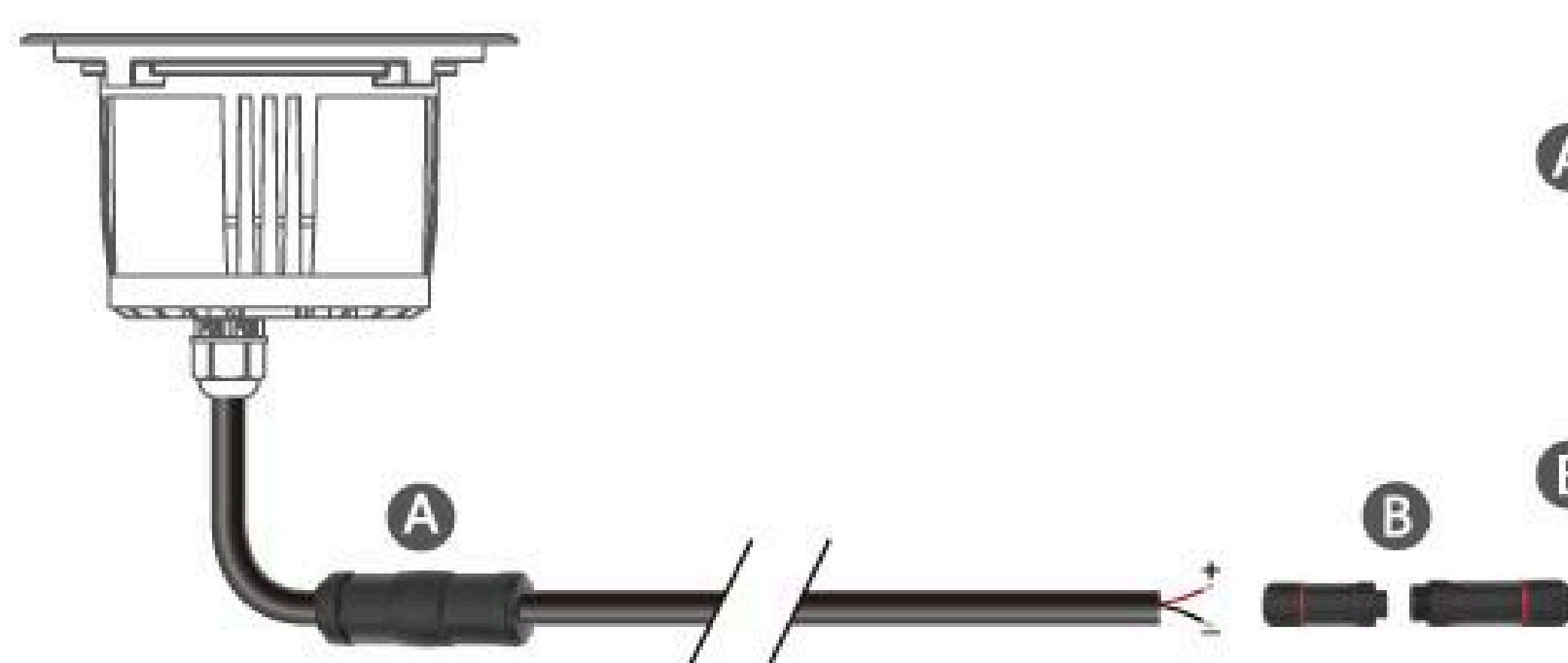
Referenced Degree(°)θ1/2



B66

15° 20° 25° 38° 55°

## Water Proof Solution



### A Water-Stopper(Included)

The luminaires produce high temperatures during use, which can create negative pressure upon power-off, drawing water vapor through the power cable. Therefore, it is essential for the device to prevent water vapor ingress with water-stopper.

### B IP67 Jiffy quick plug/socket connector(Optional)

Along with water-stopper, this optional accessory acts as a fail-safe device for preventing vapor getting into the fixture via power cable. It is the also the most IP-rating securing device for wiring.

## Sleeve



Sleeve 244#

Ø163

## Optional (Accessories)

### Honeycomb Louver



Mh007

### Anti Glare Louver



Mh104

- Optional Accessory Honeycomb Louver
- The measured luminous flux data does not contain the honeycomb,and the data containing is reduced 20 to 30%

In outdoor inground light,how to reduce the stimulation of directly looking at the light source has always been the driving force of our research and development.

Therefore, in terms of structure, we have designed the light source structure to be deeper and added a Honeycomb Louver. There may be a slight loss of lumens, but it achieves the most appropriate balance with the visual comfort of the environment and the viewer.

