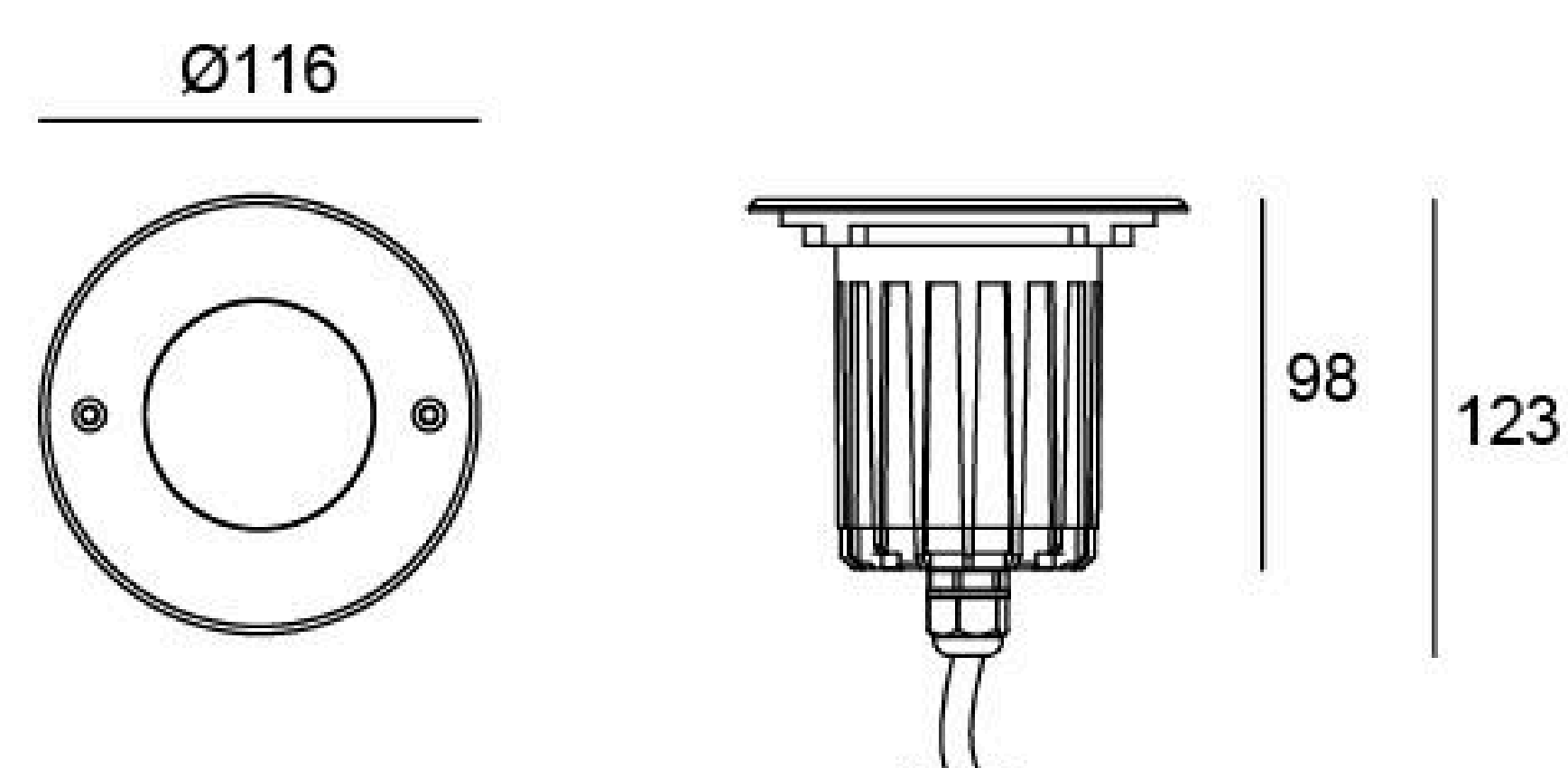


02DCRB0127

Linear Drawing

Light Source	1x7W
Lens	B112
Selected Degree (°)θ1/2	24°
Input Voltage (V)	DC 24 AC 120 240
Operating Current (MA)	24V=374 120V=75 240V=42
Consumption (W)	24V=8.9 120V=9 240V=9.1
Luminance (LM)	WW=856
IK	08



Unit: mm

Specification

Housing	12# Die-casting aluminum powder coated. T=60-80µm Adhesion of ISO class 1/ATM class 4B
Front Cover	SUS 316L#, Hard chrome-plated
Light Window	Tempered step glass.T=8mm
Glass Pressure Capacity	2526kgs
Cable Gland	IP68 PG-11 PA66
Operating Temperature	-20°C~40°C
Gasket	Silicon rubber molding shaped seal
Sleeve Material	PC/ABS ALLOYS
Reflector	Optical Reflector efficiency≥90%
LED Type	COB
LED Driver	Built in on/off driver
Power Cable	Outside of luminaire (Without waterstopper) H07RN-F 2X1.0mm² L=0.5m(low voltage) H07RN-F 3X1.0mm² L=0.5m(high voltage)

Lens (Item Code)

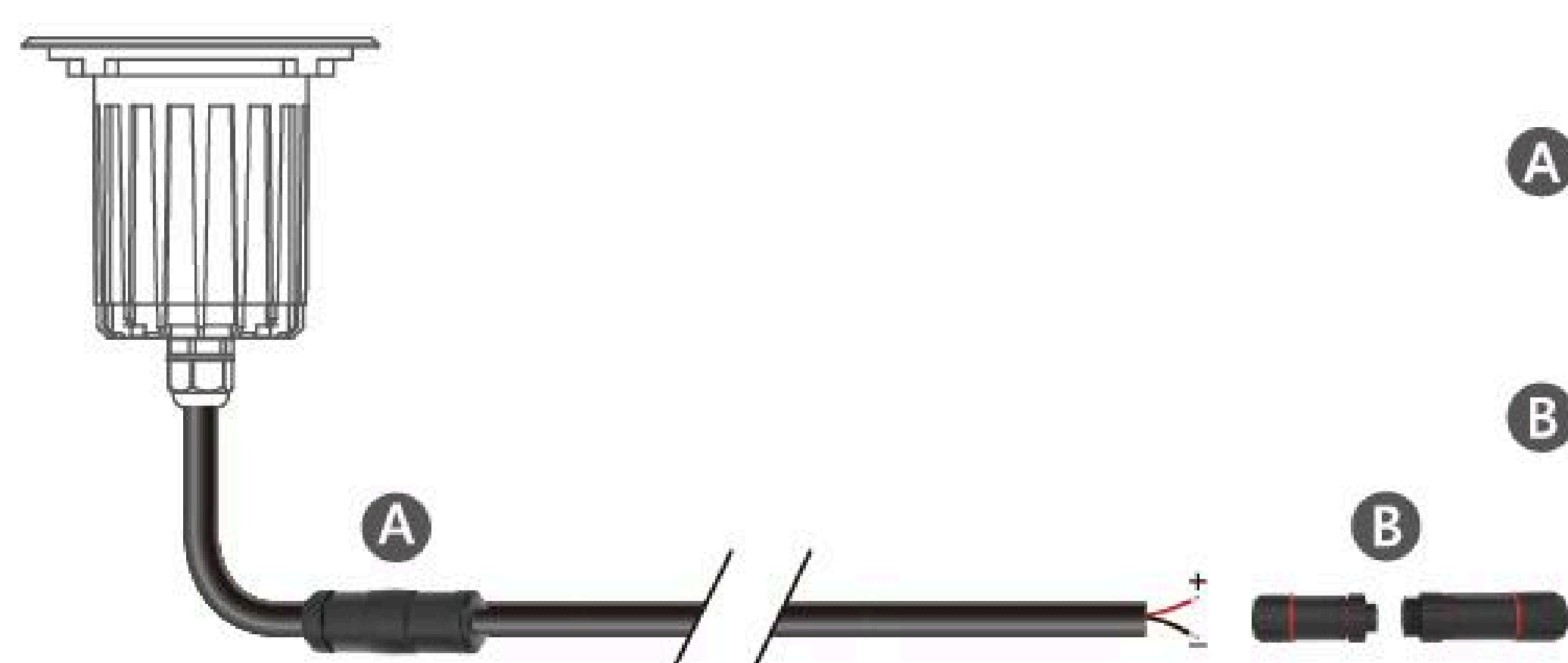
Referenced Degree(°)θ1/2



B112

15° 24° 36° 50°

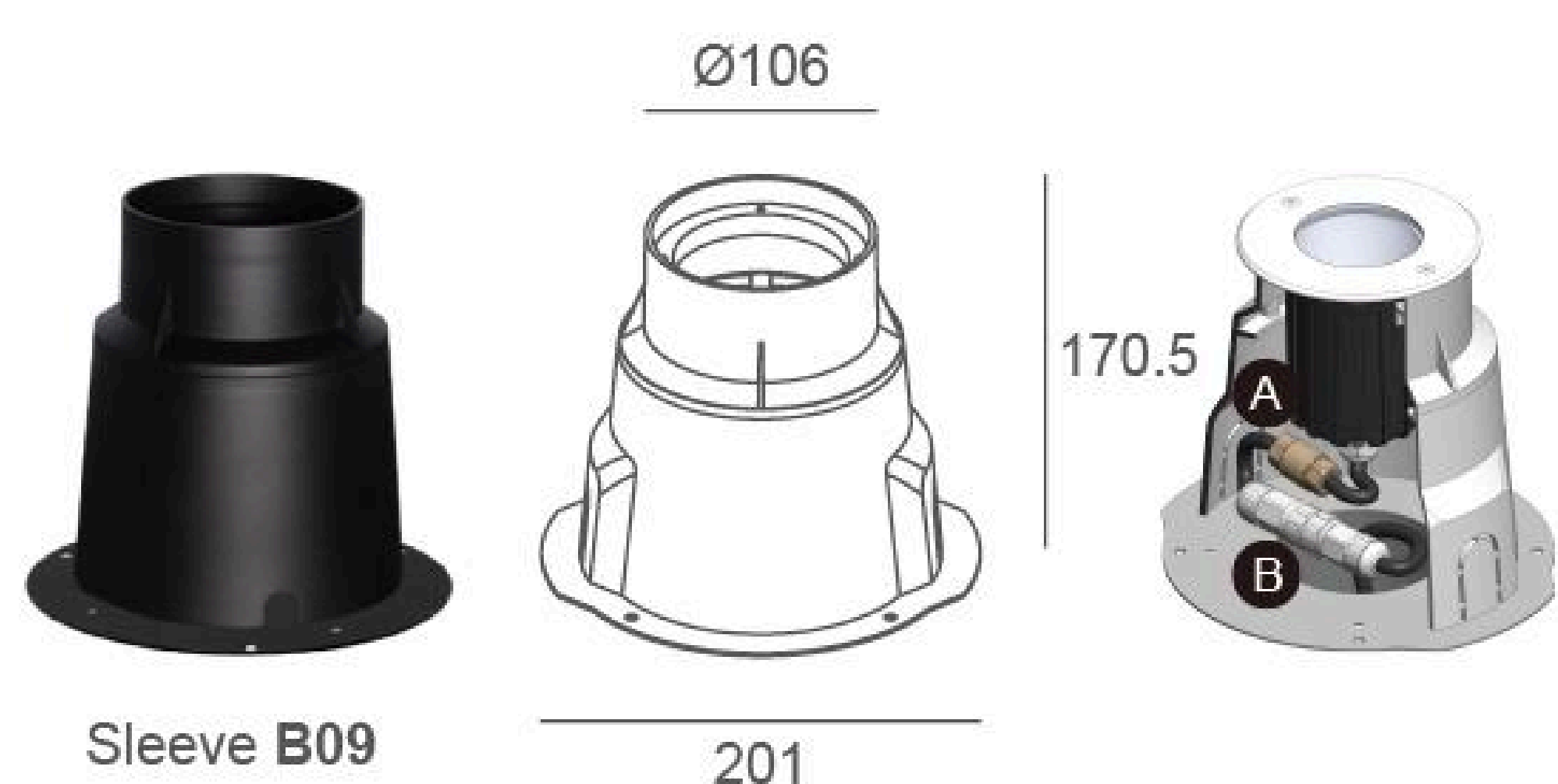
Water Proof Solution



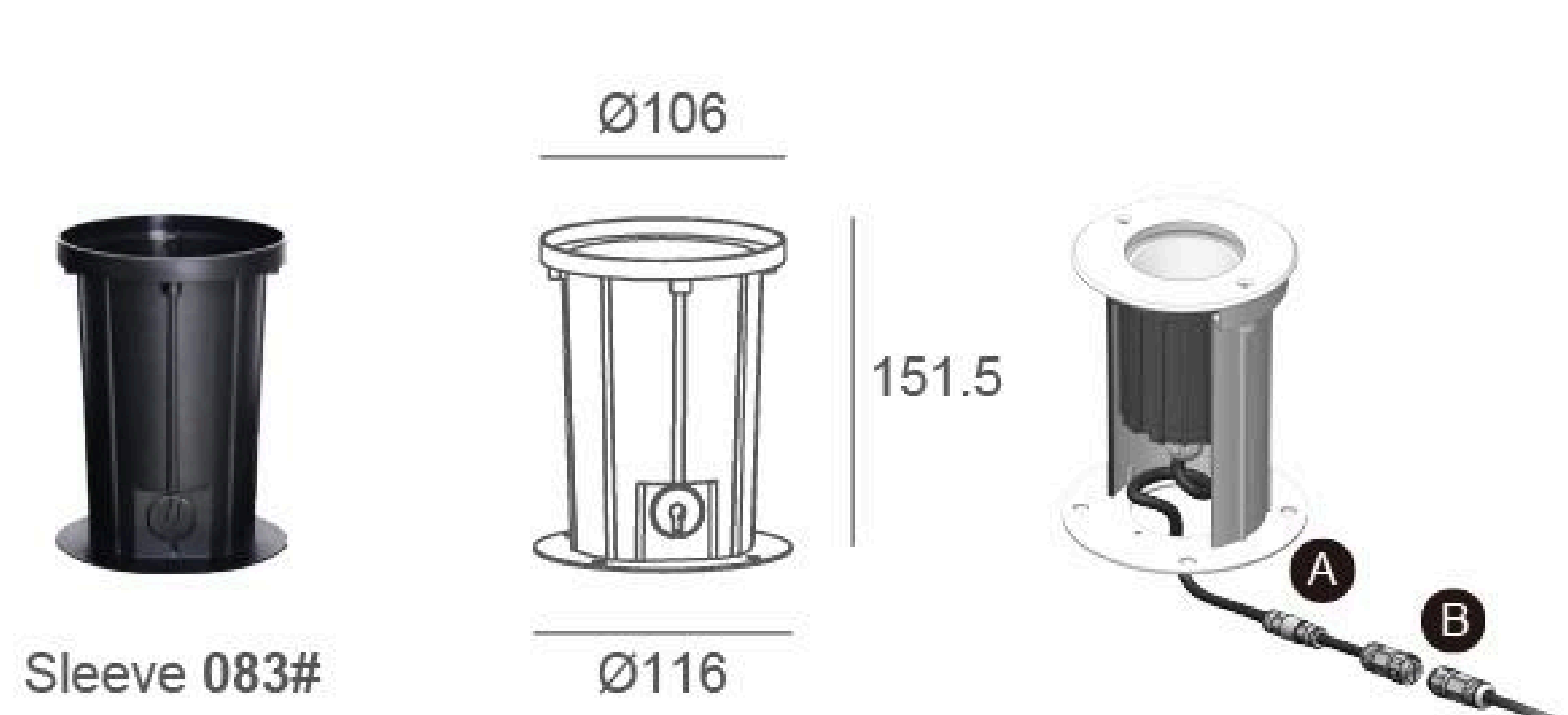
- A Water-Stopper(Included)**
A IP-67 water-stopper is added in the end of luminaires as standard assembly which is also an important system for water resistance.
- B IP67 Jiffy quick plug/socket connector(Option)**
A IP-67 connector is as an optional assembly and ensures that water vapor will not enter into luminaires directly.

Sleeve

Optional 1



Optional 2



Optional (Accessories)

Honeycomb Louver



Mh006

Anti Glare Louver



Mh103

- Optional Accessory Honeycomb Louver
- The measured luminous flux data does not contain the honeycomb,and the data containing is reduced 20 to 30%

In outdoor inground light,how to reduce the stimulation of directly looking at the light source has always been the driving force of our research and development.

Therefore, in terms of structure, we have designed the light source structure to be deeper and added a Honeycomb Louver. There may be a slight loss of lumens, but it achieves the most appropriate balance with the visual comfort of the environment and the viewer.

