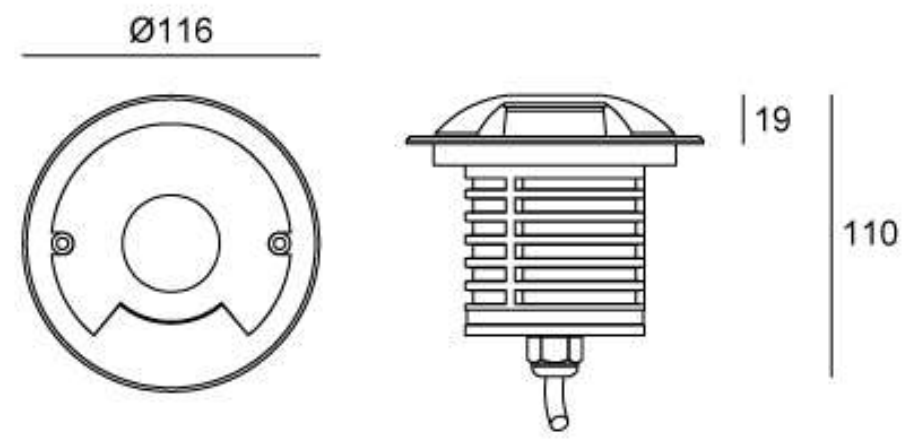


## 02CU1E0157

Light Source	1x2.1W
Lens	B80
Beam Angle	80°
Input Voltage (V)	DC 24 AC 120 240
Operating Current (MA)	24V=124 120V=45 240V=25
Consumption (W)	24V=3 120V=3.1 240V=3.1
Luminance (LM)	WW=23
IK	10

## Linear Drawing



Unit: mm

## Specification

Housing	12# Die-casting aluminum powder coated. T=60-80µm.Adhesion of ISO class 1/ASTM class 4B
Front Cover	SUS 316#, Hard chrome-plated
Light Window	UV stop & Fireproof PC
Load Capacity	3940kgs
Gasket	Silicon rubber molding shaped seal
Operating Temperature	-20°C~40°C
Recessd Sleeve Material	PC/ABS ALLOYS
Reflector	Optical Reflector efficiency≥90%
LED Type	SMD
LED Driver	Built in on/off driver
Power Cable	Outside of luminaire (Without waterstopper) H05RN-F 2X1.0mm² L=0.5m(24V) H05RN-F 3X1.0mm² L=0.5m(120V/240V)

## Lens (Item Code)

Referenced Degree(°)θ1/2



B80

## Painting Color

Primary



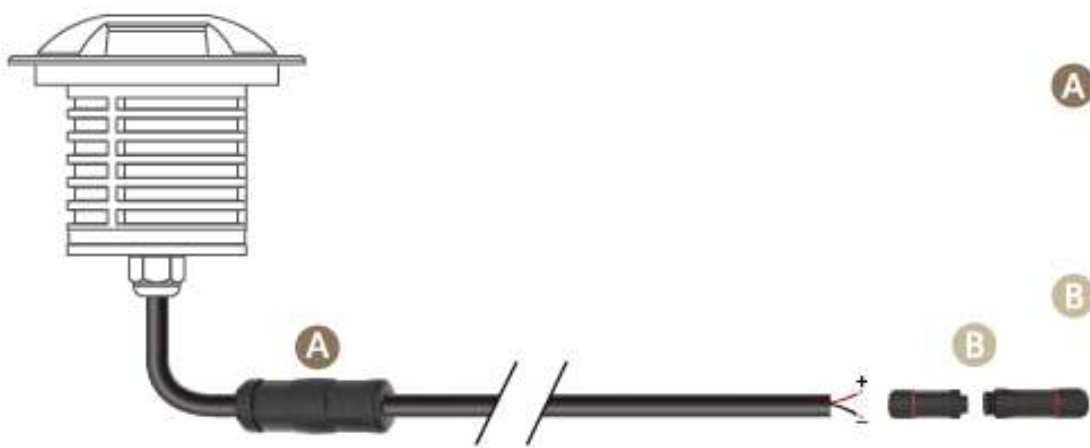
SUS 316#

Secondary



Sanded Bronze  
KAP 7008

## Water Proof Solution



### A Water-Stopper(Included)

The luminaires produce high temperatures during use, which can create negative pressure upon power-off, drawing water vapor through the power cable. Therefore, it is essential for the device to prevent water vapor ingress with water-stopper.

### B IP67 Jiffy quick plug/socket connector(Optional)

Along with water-stopper, this optional accessory acts as a fail-safe device for preventing vapor getting into the fixture via power cable. It is the also the most IPrating securing device for wiring.

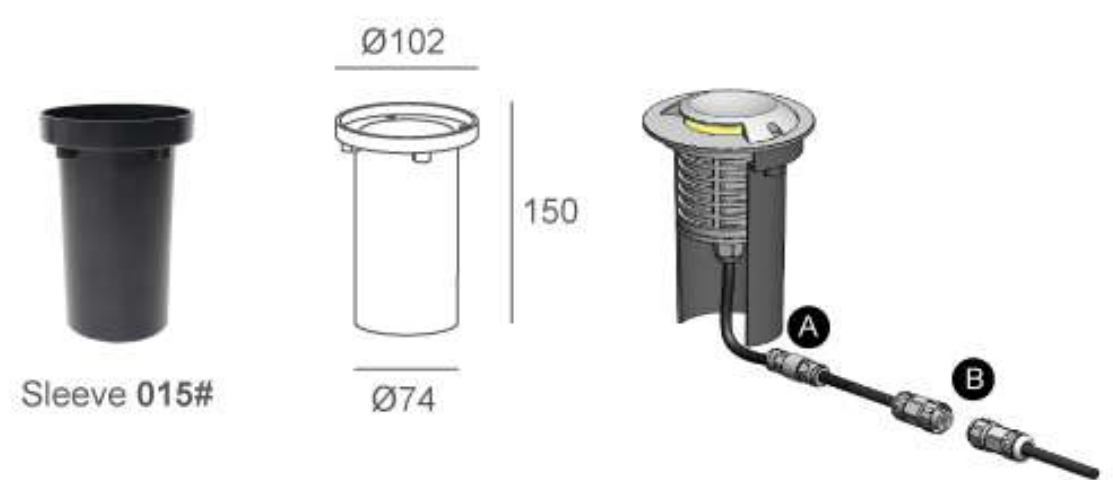
## Sleeve

Optional 1

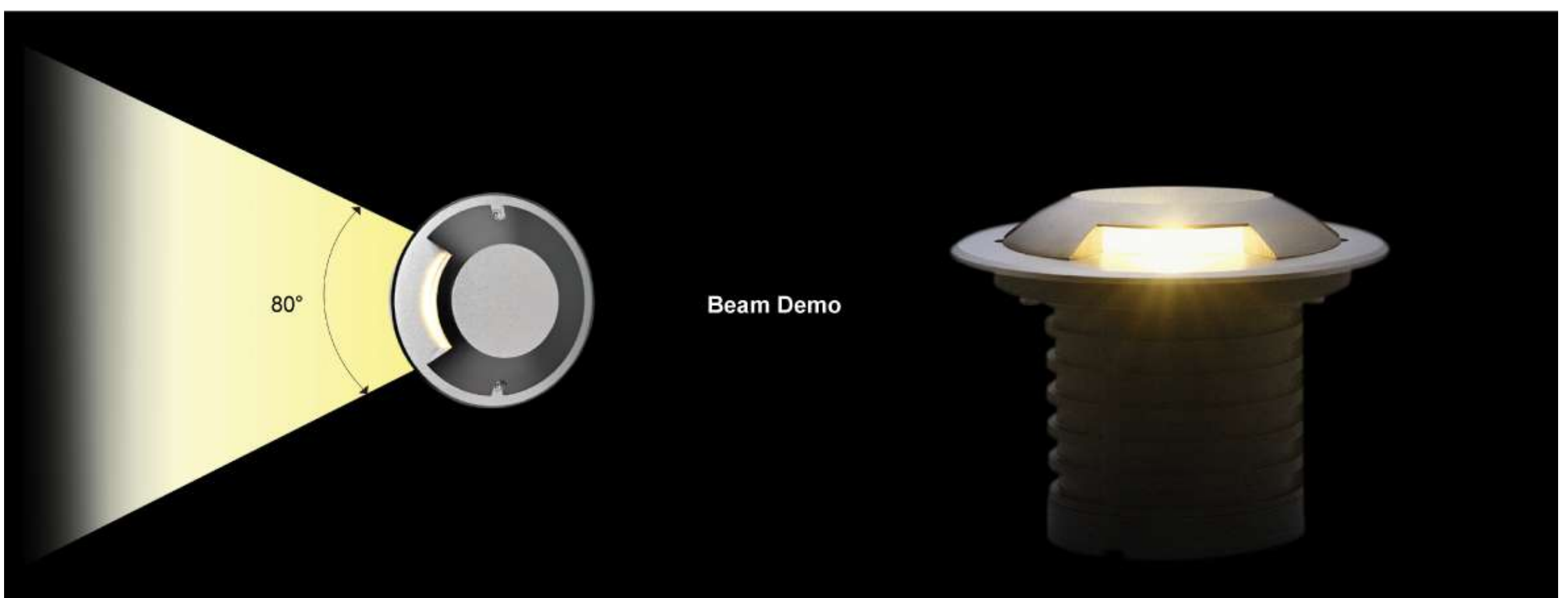


Sleeve B12

Optional 2



Sleeve 015#



## Photometric

12m	0.00 LUX
11m	0.00 LUX
10m	0.00 LUX
9m	0.00 LUX
8m	0.00 LUX
7m	0.00 LUX
6m	0.00 LUX
5m	0.00 LUX
4m	0.00 LUX
3m	0.00 LUX
2m	0.00 LUX
1m	0.00 LUX

