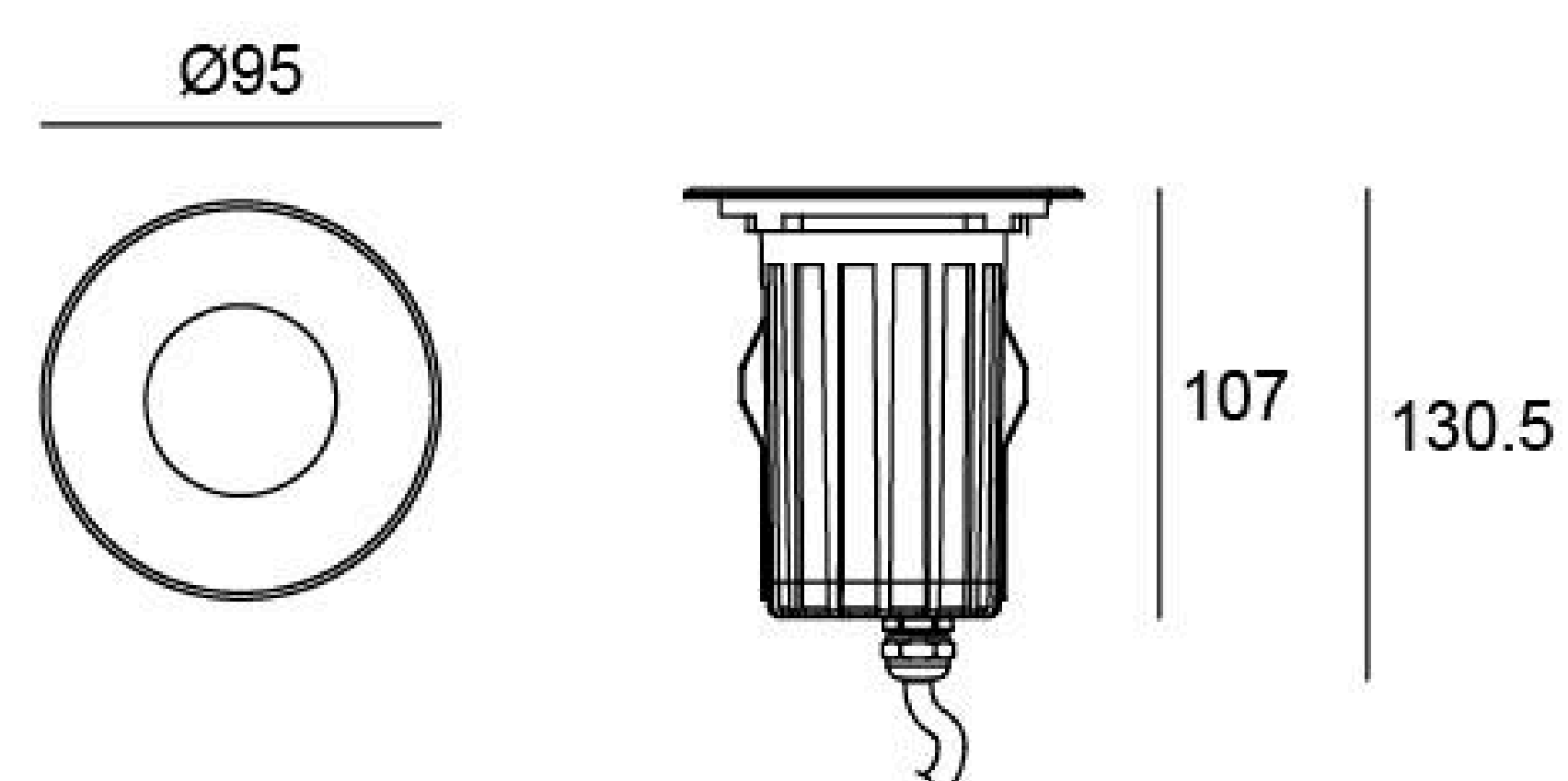


## 02CFRB0125

Light Source	1x5W
Lens	B71
Selected Degree (°)θ1/2	24°
Input Voltage (V)	DC 24 AC 120 240
Operating Current (MA)	24V=265 120V=51 240V=31
Consumption (W)	24V=6.3 120V=6 240V=6.2
Luminance (LM)	WW=460
IK	08

## Linear Drawing



Unit: mm

## Specification

Housing	12# Die-casting aluminum powder coated. T=60-80µm Adhesion of ISO class 1/ATM class 4B
Front Cover	SUS 316L#, Hard chrome-plated
Light Window	Tempered step glass.T=6mm
Glass Pressure Capacity	1195kgs
Cable Gland	IP68 PG-9 PA66
Operating Temperature	-20°C~40°C
Gasket	Silicon rubber molding shaped seal
Sleeve Material	PC/ABS ALLOYS
Reflector	Optical Reflector efficiency≥90%
LED Type	COB
LED Driver	Built in on/off driver
Power Cable	Outside of luminaire (Without waterstopper) H05RN-F 2X1.0mm <sup>2</sup> L=0.5m(low voltage) H05RN-F 3X1.0mm <sup>2</sup> L=0.5m(high voltage)

## Lens (Item Code)

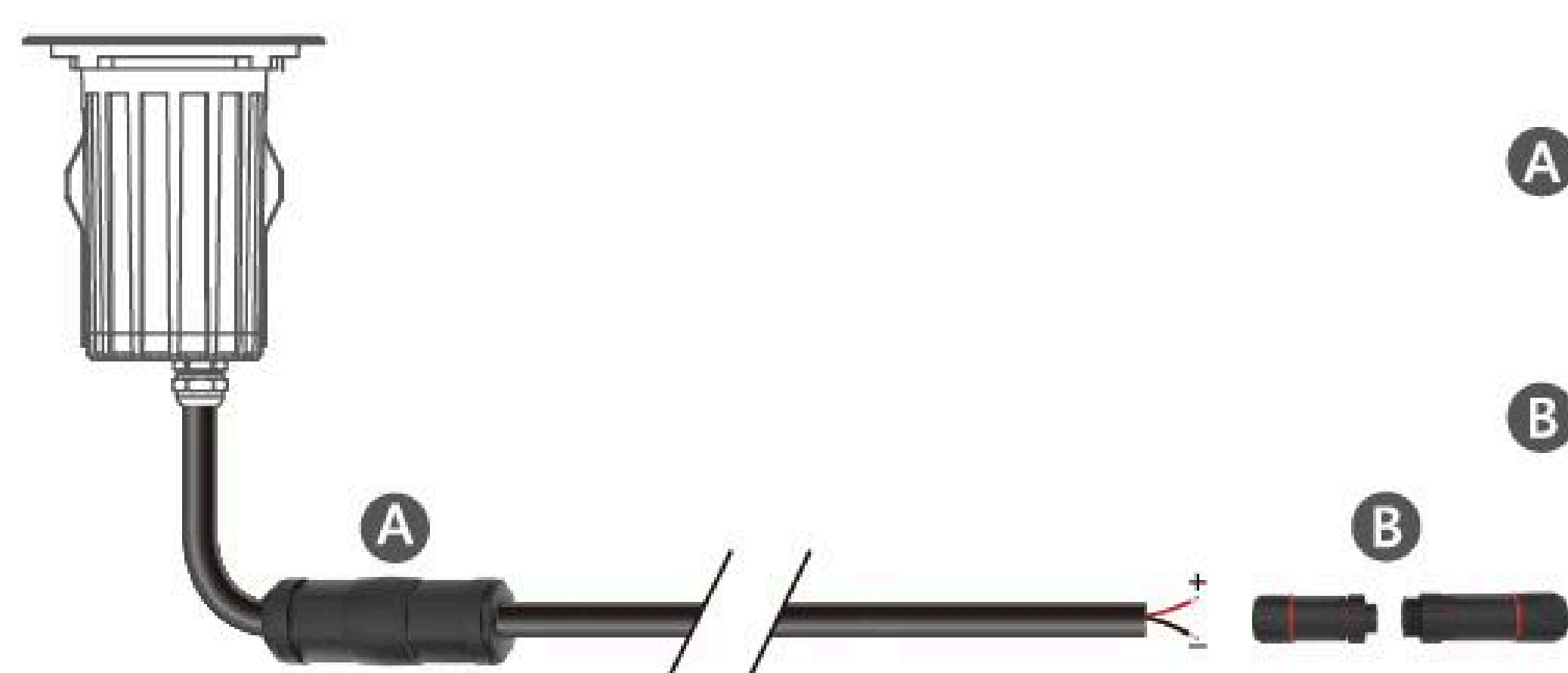
## Referenced Degree(°)θ1/2



B71

15° 24° 33° 45° 60°

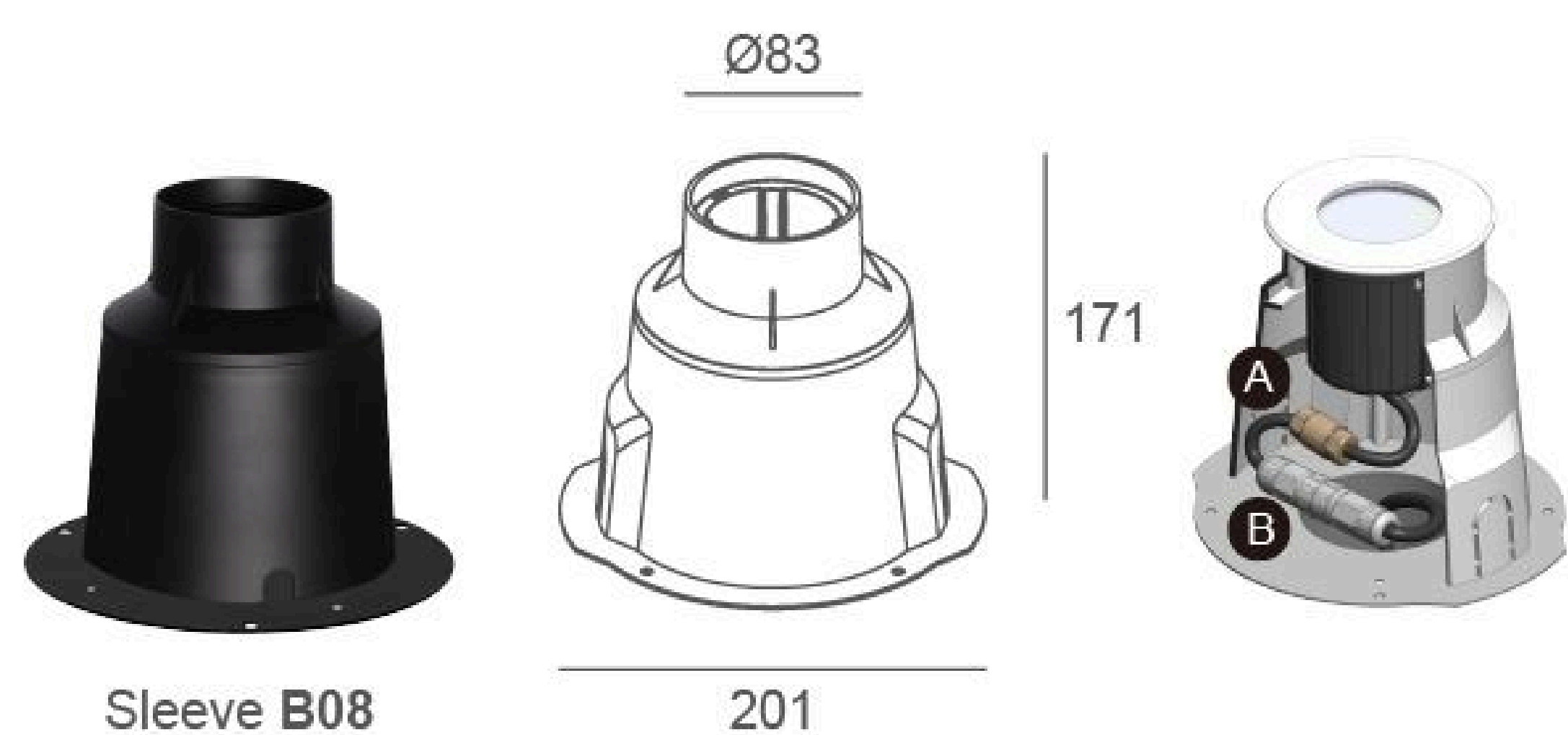
## Water Proof Solution



- A Water-Stopper(Included)**  
A IP-67 water-stopper is added in the end of luminaires as standard assembly which is also an important system for water resistance.
- B IP67 Jiffy quick plug/socket connector(Option)**  
A IP-67 connector is as an optional assembly and ensures that water vapor will not enter into luminaires directly.

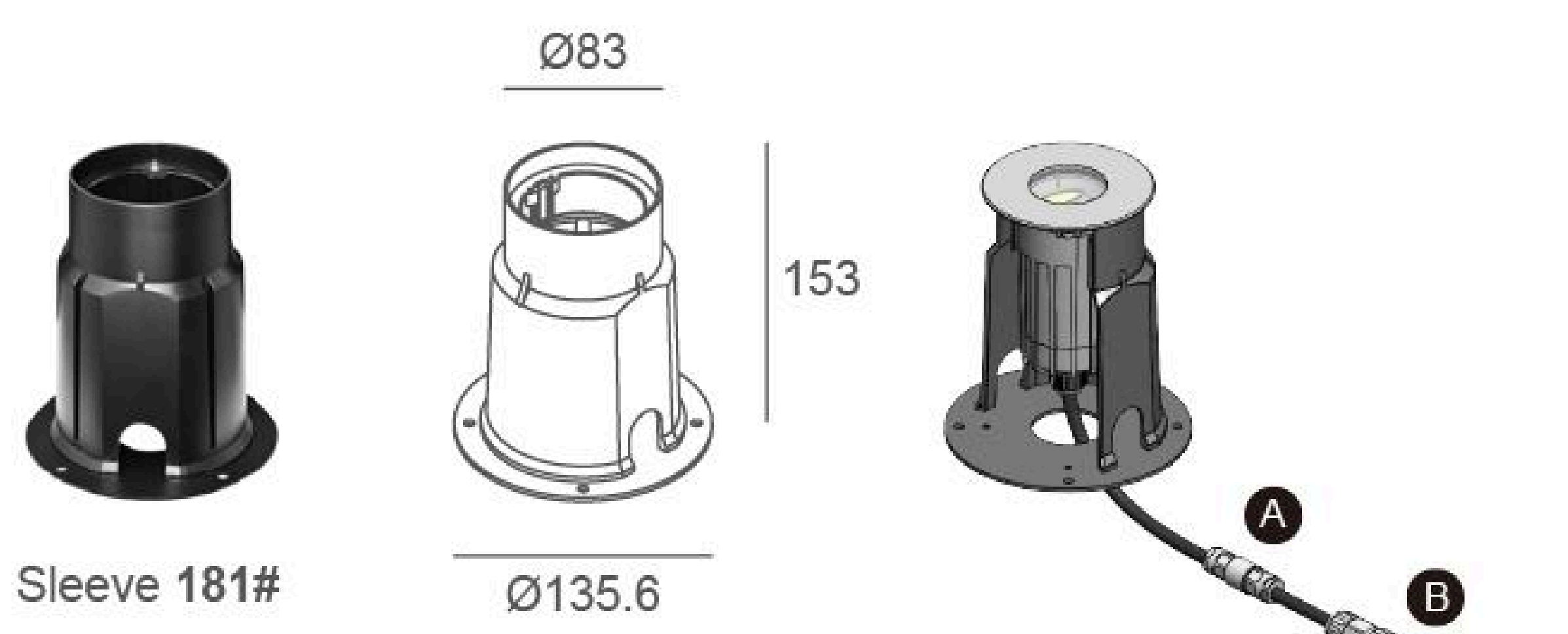
## Sleeve

### Optional 1



Sleeve B08

### Optional 2



Sleeve 181#

## Optional (Accessories)

### Honeycomb Louver



Mh005

### Anti Glare Louver



Mh110

- Optional Accessory Honeycomb Louver
- The measured luminous flux data does not contain the honeycomb,and the data containing is reduced 20 to 30%

In outdoor inground light,how to reduce the stimulation of directly looking at the light source has always been the driving force of our research and development.

Therefore, in terms of structure, we have designed the light source structure to be deeper and added a Honeycomb Louver. There may be a slight loss of lumens,but it achieves the most appropriate balance with the visual comfort of the environment and the viewer.

