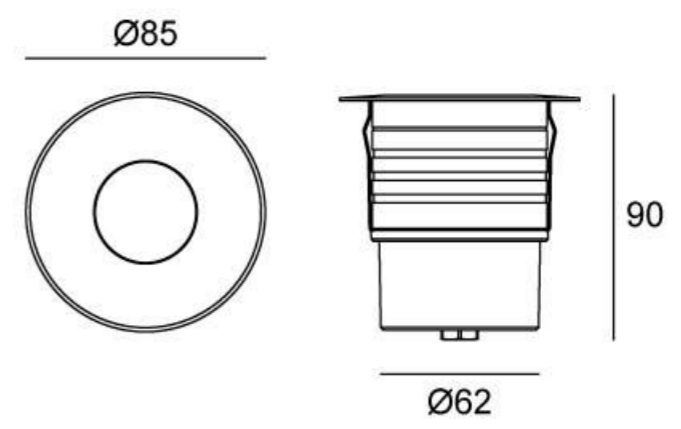


02BURB0126B

Light Source	1x7W
Selected Degree (°)θ1/2	20°
Input Voltage (V)	DC 240
Operating Current (MA)	240V=37
Consumption (W)	240V=7.8
Luminance (LM)	WW=700
IK	08

Linear Drawing



Unit: mm

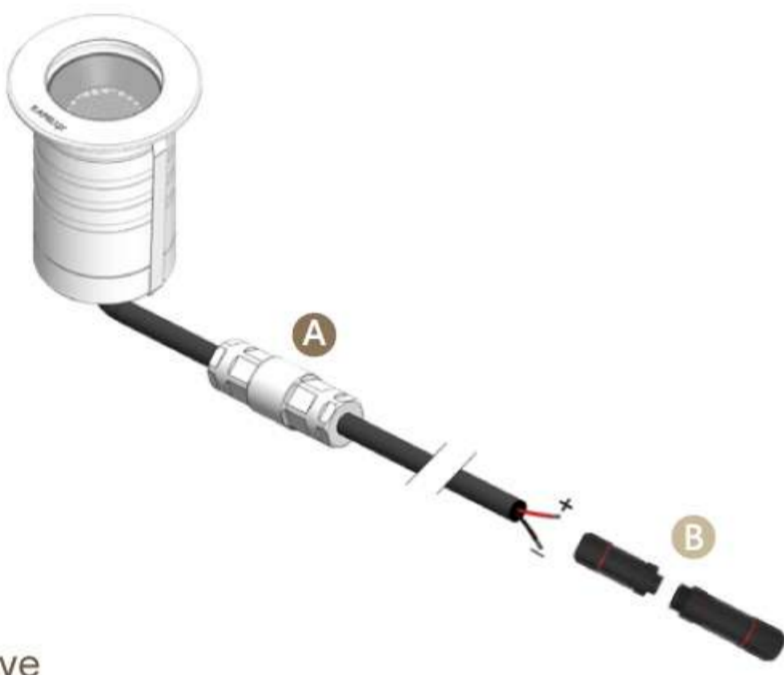
Specification

Housing	ADC 12# Aluminum or powder painting
Front Cover	SUS 316#, Hard chrome-plated
Cable Gland	IP67 Nickel coated copper
Light Window	Tempered glass.T=8mm
Glass Pressure Capacity	2838kgs
Gasket	Silicon rubber molding shaped seal
Power Cable	Outside of luminaire (Without waterstopper) H05RN-F 3×1.0mm ² , L=0.5m(240V)
LED Driver	Built in on/off driver
LED Type	COB
Sleeve	PC+ABS
Operating Temperature	-20°C~40°C

Effective Beam Angle

20° 28° 42° 50°

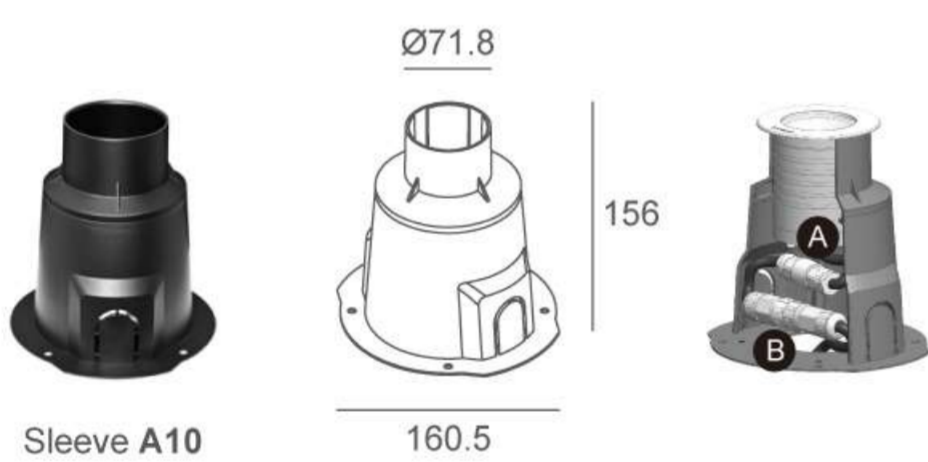
Water Proof Solution



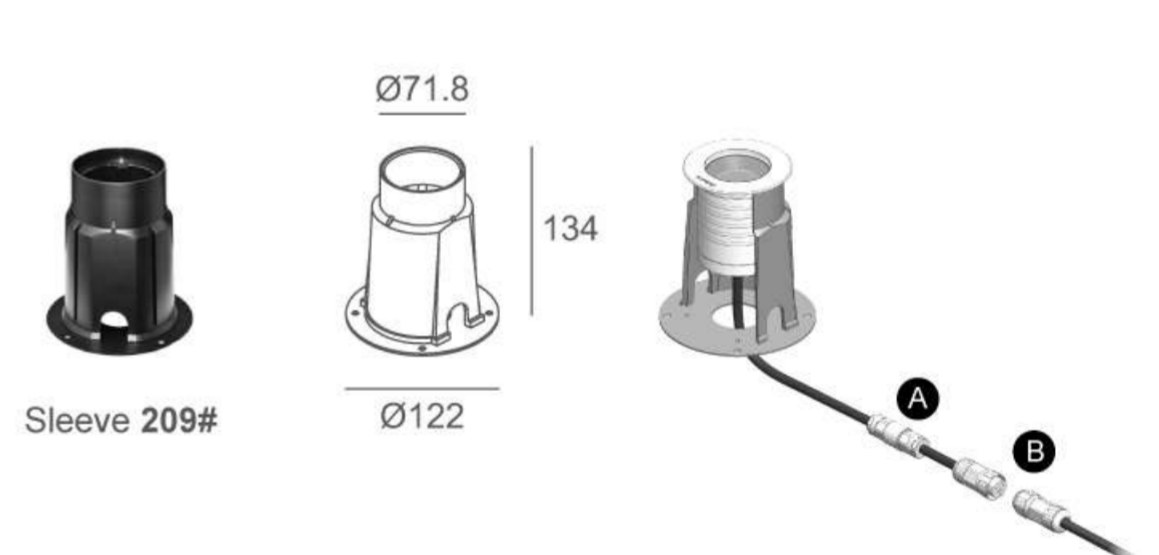
- A Water-Stopper(Included)**
The luminaires produce high temperatures during use, which can create negative pressure upon power-off, drawing water vapor through the power cable. Therefore, it is essential for the device to prevent water vapor ingress with water-stopper.
- B IP67 Jiffy quick plug/socket connector(Optional)**
Along with water-stopper, this optional accessory acts as a fail-safe device for preventing vapor getting into the fixture via power cable. It is the also the most IP-rating securing device for wiring.

Sleeve

Optional 1



Optional 2



Optional (Accessories)

Anti-Glare Louver(Optional)



Mh124

Anti-Glare Glass(Optional)



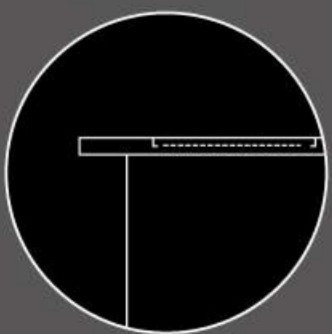
Brown Front Cover (Optional)



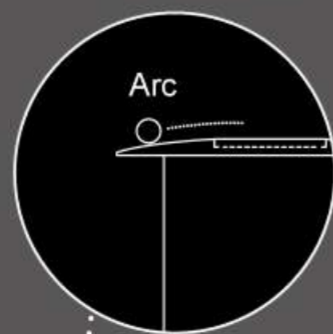
- Optional Accessory Anti-Glare Louver.
- The measured luminous flux data does not contain the Anti-Glare Louver, and the data containing is reduced 20 to 30%.

Refined Curves

Basic Design



Advanced Design



Ultra-thin front cover

1mm



A variety of optional accessories