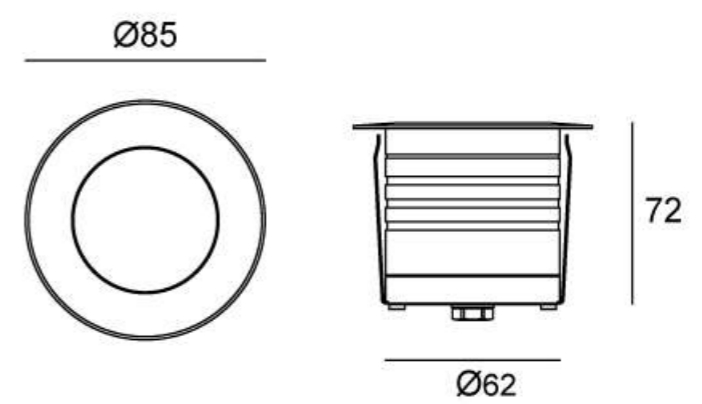


02BTRB0125B

Light Source	1x7W
Selected Degree (°)θ1/2	18°
Input Voltage (V)	DC 24
Operating Current (MA)	24V=291
Consumption (W)	24V=7
Luminance (LM)	VW=600
IK	08

Linear Drawing



Unit: mm

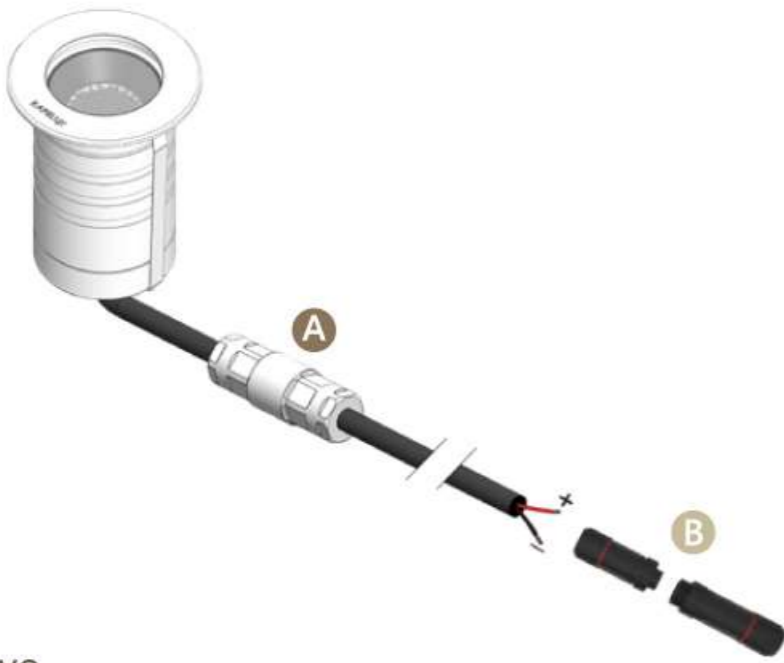
Specification

Housing	ADC 12# Aluminum or powder painting
Front Cover	SUS 316#, Hard chrome-plated
Cable Gland	IP67 Nickel coated copper
Light Window	Tempered glass, T=8mm
Glass Pressure Capacity	2000kgs
Gasket	Silicon rubber molding shaped seal
Power Cable	Outside of luminaire (Without waterstopper) 24V: H05RN-F 2×1.0mm ² , L=0.5m
LED Driver	Built in on/off driver
LED Type	COB
Sleeve	Aluminum
Operating Temperature	-20°C~40°C
Dimmable Support	External DALI supported TRIAC, 0-10V, PWM via external driver on request

Effective Beam Angle

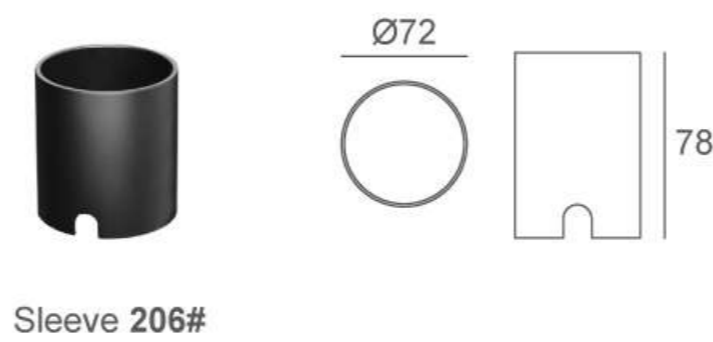
18° 24° 36° 50°

Water Proof Solution



- A Water-Stopper(Included)**
The luminaires produce high temperatures during use, which can create negative pressure upon power-off, drawing water vapor through the power cable. Therefore, it is essential for the device to prevent water vapor ingress with water-stopper.
- B IP67 Jiffy quick plug/socket connector(Optional)**
Along with water-stopper, this optional accessory acts as a fail-safe device for preventing vapor getting into the fixture via power cable. It is also the most IP-rating securing device for wiring.

Sleeve



Sleeve 206#

Optional (Accessories)

Anti-Glare Louver(Optional)



Mh124

Anti-Glare Glass(Optional)

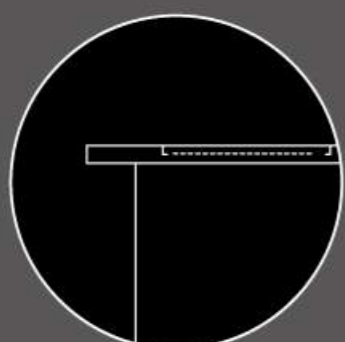


Brown Front Cover (Optional)

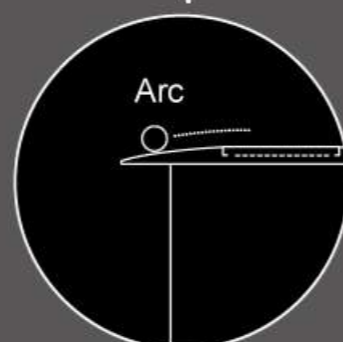


- Optional Accessory Anti-Glare Louver.
- The measured luminous flux data does not contain the honeycomb, and the data containing is reduced 20 to 30%.

Refined Curves



Basic Design



Advanced Design



1mm
Ultra-thin front cover



A variety of optional accessories