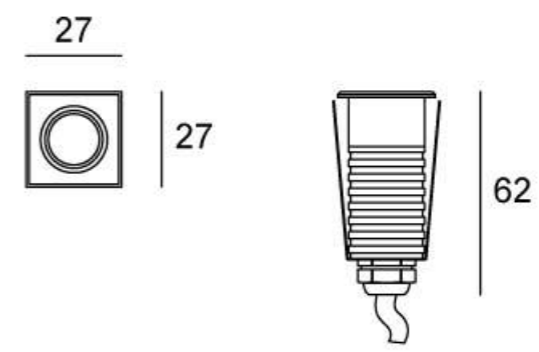


02BPSD0134B

Light Source	1x0.5W
Lens	N/A
Selected Degree (°)θ1/2	70°
Input Voltage (V)	DC 24
Operating Current (MA)	24V=26
Consumption (W)	24V=0.62
Luminance (LM)	WW=23
IK	06

Linear Drawing



Unit: mm

Specification

Housing	Aluminum anodized finishing or powder Painting
Front Cover	SUS 304#, Hard chrome-plated
Light Window	Tempered step glass.T=2mm
Glass Pressure Capacity	1145kgs
Operating Temperature	-20°C~40°C
Gasket	Silicon rubber molding shaped seal
Sleeve	PC/ABS Alloys
Lens	Optical Lens efficiency≥85%
LED Type	SMD
LED Driver	Built in on/off driver
Power Cable	Outside of luminaire (Without waterstopper) 24V: H05RN-F 2×1.0mm ² , L=0.5m
Dimming Support	External DALI supported TRIAC,0-10V, PWM via external driver on request

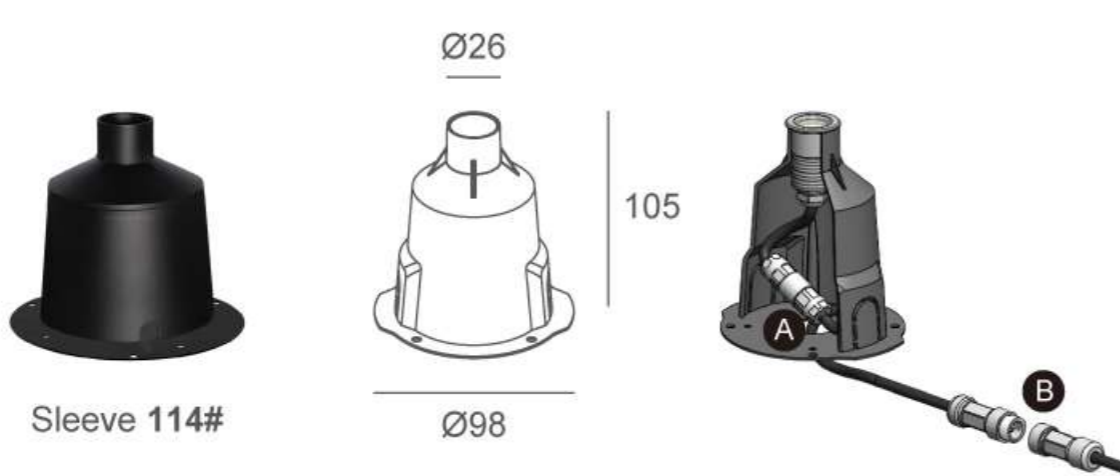
Water Proof Solution



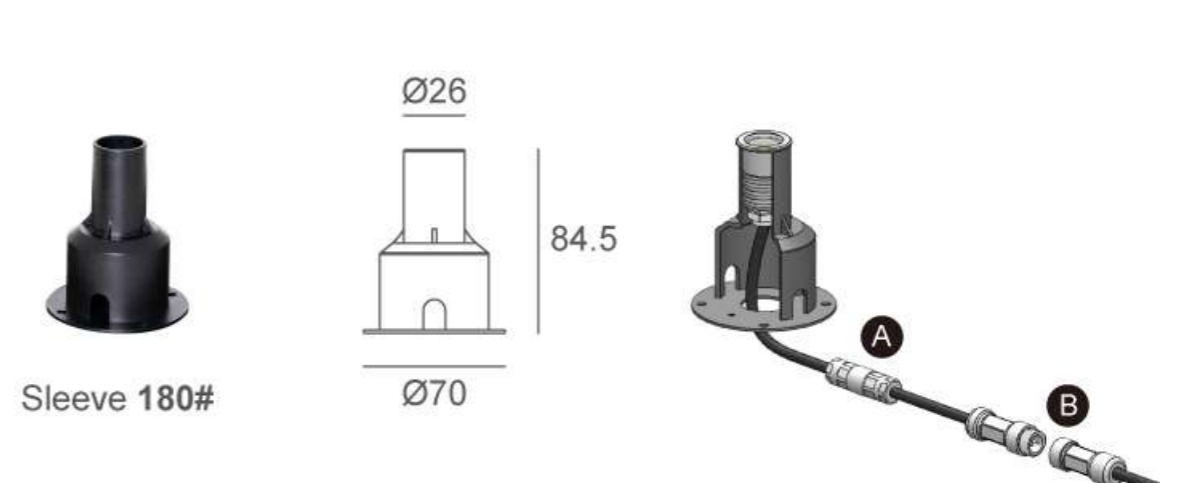
- A Water-Stopper(Included)**
The luminaires produce high temperatures during use, which can create negative pressure upon power-off, drawing water vapor through the power cable. Therefore, it is essential for the device to prevent water vapor ingress with water-stopper.
- B IP67 Jiffy quick plug/socket connector(Option)**
Along with water-stopper, this optional accessory acts as a fail-safe device for preventing vapor getting into the fixture via power cable. It is the also the most IP-rating securing device for wiring.

Sleeve

Optional 1



Optional 2

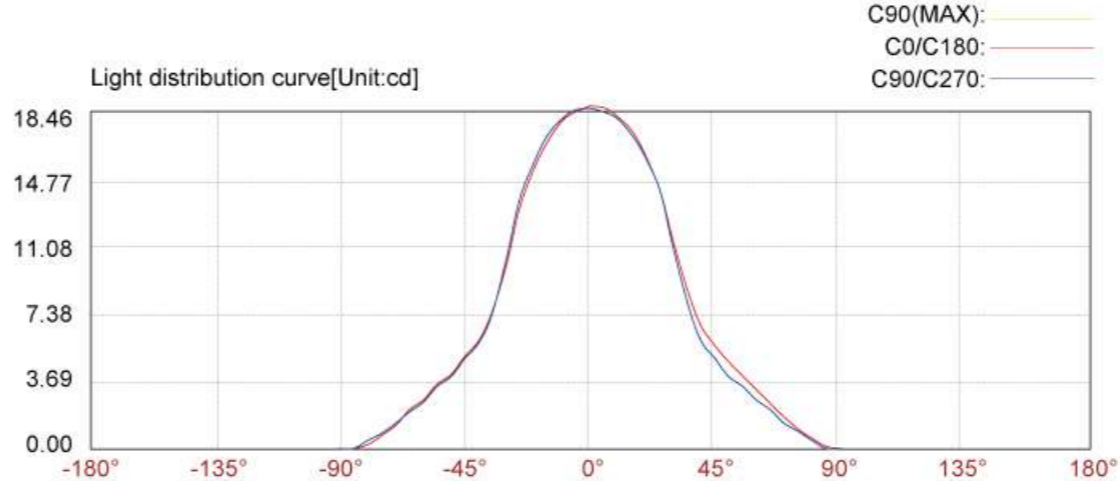
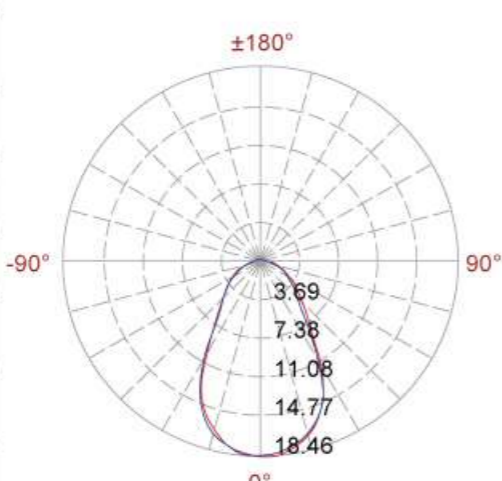


Compact and exquisite, it fully demonstrates Kapelux's manufacturing craftsmanship. Its shape is small, elegant and neat, yet its functionality is not compromised in the slightest. When it needs to illuminate the target, it shines like a pearl.



Photometric

12m	0.13 LUX
11m	
10m	0.18 LUX
9m	
8m	0.29 LUX
7m	
6m	0.51 LUX
5m	
4m	1.15 LUX
3m	
2m	4.61 LUX
1m	



Center beam LUX	Beam width V	H
2m 4.61 LUX	2.6m	2.5m
4m 1.15 LUX	5.1m	5.1m
6m 0.51 LUX	7.7m	7.6m
8m 0.29 LUX	10.2m	10.1m
10m 0.18 LUX	12.8m	12.7m
12m 0.13 LUX	15.3m	15.2m

Ver.Spread:65.2 Horiz.Spread:64.8