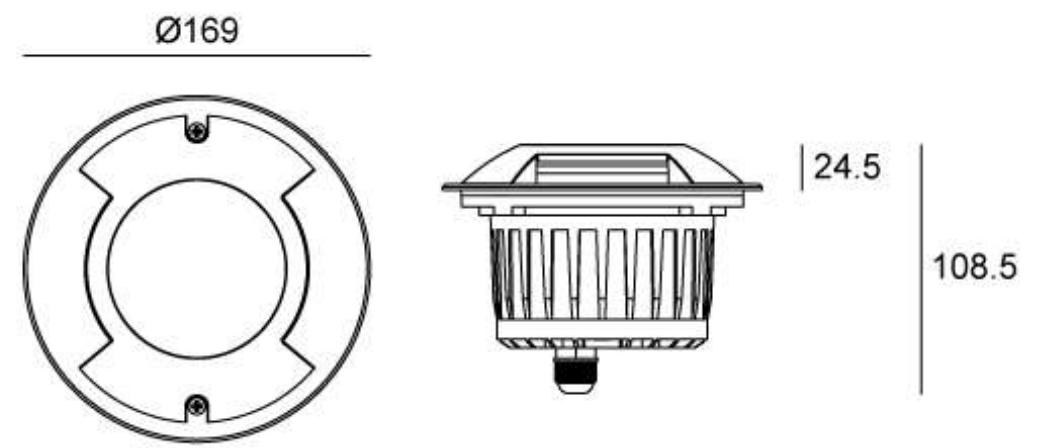


## 02BKS2E1035

Light Source	10x0.8W
Lens	B109
Selected Degree (°)θ1/2	80°
Input Voltage (V)	DC 24 AC 240
Operating Current (MA)	24V=416 240V=51
Consumption (W)	24V=10 240V=11
Luminance (LM)	24V=427
IK	10

## Linear Drawing



Unit: mm

## Specification

Housing	12# Die-casting aluminum powder coated. T=60-80µm.Adhesion of ISO class 1/ASTM class 4B
Front Cover	SUS 316#, Hard chrome-plated
Light Window	UV stop & Fireproof PC
Load Capacity	>2000kgs
Gasket	Silicon rubber molding shaped seal
Operating Temperature	-20°C~40°C
Recessd Sleeve Material	PC/ABS ALLOYS
Reflector	Optical Reflector efficiency≥90%
LED Type	SMD
LED Driver	Built in on/off driver
Power Cable	Outside of luminaire (Without waterstopper) H05RN-F 2X1.0mm² L=0.5m(24V) H05RN-F 3X1.0mm² L=0.5m(120V/240V)

## Lens (Item Code)

Referenced Degree(°)θ1/2



B109

20°

## Painting Color

Primary



SUS 316#

Secondary



Sanded Bronze  
KAP 7008

## Water Proof Solution



### A Water-Stopper(Included)

The luminaires produce high temperatures during use, which can create negative pressure upon power-off, drawing water vapor through the power cable. Therefore, it is essential for the device to prevent water vapor ingress with water-stopper.

### B IP67 Jiffy quick plug/socket connector(Optional)

Along with water-stopper, this optional accessory acts as a fail-safe device for preventing vapor getting into the fixture via power cable. It is the also the most IP-rating securing device for wiring.

## Sleeve



Sleeve 016#

