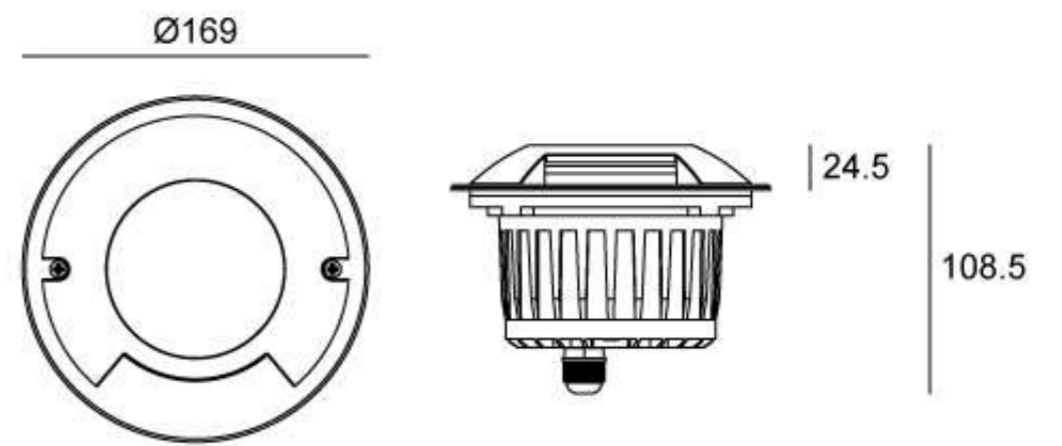


02BKS1E0657

Light Source	6×1.5W
Lens	B109
Selected Degree (°)θ1/2	120°
Input Voltage (V)	DC 24 AC 240
Operating Current (MA)	24V=500 240V=61
Consumption (W)	24V=12 240V=13
Luminance (LM)	24V=205 240V=253
IK	10

Linear Drawing



Unit: mm

Specification

Housing	12# Die-casting aluminum powder coated. T=60-80µm. Adhesion of ISO class 1/ASTM class 4B
Front Cover	SUS 316#, Hard chrome-plated
Light Window	UV stop & Fireproof PC
Load Capacity	>2000kgs
Gasket	Silicon rubber molding shaped seal
Operating Temperature	-20°C~40°C
Recessd Sleeve Material	PC/ABS ALLOYS
Reflector	Optical Reflector efficiency≥90%
LED Type	SMD
LED Driver	Built in on/off driver
Power Cable	Outside of luminaire (Without waterstopper) H05RN-F 2X1.0mm² L=0.5m(24V) H05RN-F 3X1.0mm² L=0.5m(120V/240V)

Lens (Item Code)

Referenced Degree(°)θ1/2



B109

20°

Painting Color

Primary



SUS 316#

Secondary



Sanded Bronze
KAP 7008

Water Proof Solution



A Water-Stopper(Included)

The luminaires produce high temperatures during use, which can create negative pressure upon power-off, drawing water vapor through the power cable. Therefore, it is essential for the device to prevent water vapor ingress with water-stopper.

B IP67 Jiffy quick plug/socket connector(Option)

Along with water-stopper, this optional accessory acts as a fail-safe device for preventing vapor getting into the fixture via power cable. It is the also the most IP-rating securing device for wiring.

Sleeve



Sleeve 016#

