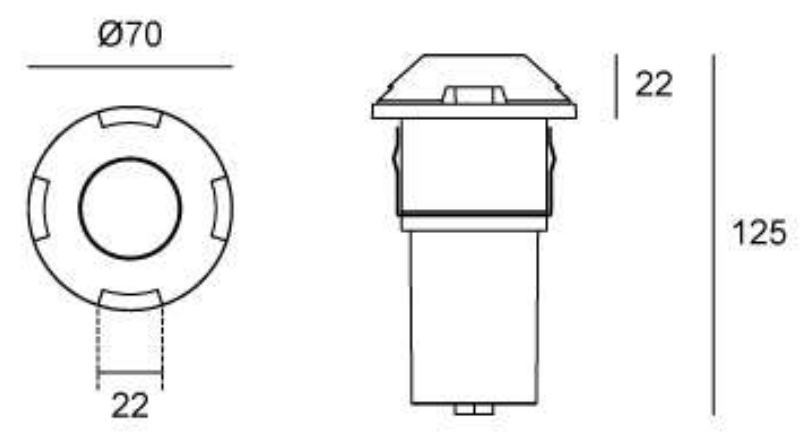


02AY4E0435

Light Source	4x1W
Beam Angle	37°
Input Voltage (V)	DC 24 AC 240
Operating Current (MA)	24V=208 240V=30
Consumption (W)	24V=5 240V=5.5
Luminance (LM)	WW=169
IK	10

Linear Drawing



Unit: mm

Specification

Housing	12# Die-casting aluminum powder coated. T=60-80μm.Adhesion of ISO class 1/ASTM class 4B
Front Cover	SUS 316#, Hard chrome-plated
Light Window	UV stop & Fireproof PC
Load Capacity	>2000kgs
Gasket	Silicon rubber molding shaped seal
Operating Temperature	-20°C~40°C
Recessd Sleeve Material	PC/ABS ALLOYS
Reflector	Optical Reflector efficiency≥90%
LED Type	SMD
LED Driver	Built in on/off driver
Power Cable	Outside of luminaire (Without waterstopper) H05RN-F 2X1.0mm ² L=0.5m(24V) H05RN-F 3X1.0mm ² L=0.5m(120V/240V)

Painting Color

Primary



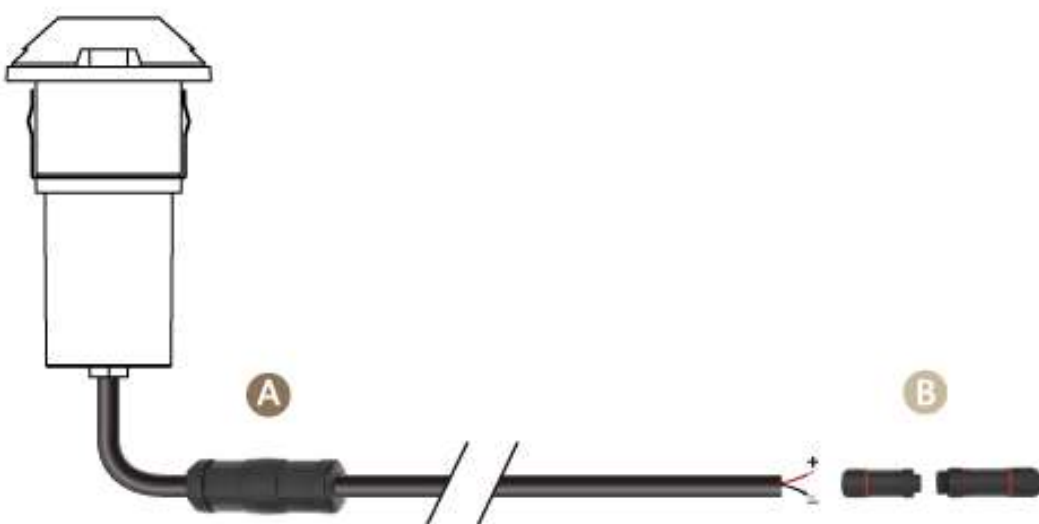
SUS 316#

Secondary



Sanded Bronze
KAP 7008

Water Proof Solution



A Water-Stopper(Included)

The luminaires produce high temperatures during use, which can create negative pressure upon power-off, drawing water vapor through the power cable. Therefore, it is essential for the device to prevent water vapor ingress with water-stopper.

B IP67 Jiffy quick plug/socket connector(Optional)

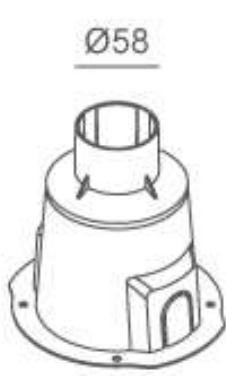
Along with water-stopper, this optional accessory acts as a fail-safe device for preventing vapor getting into the fixture via power cable. It is the also the most IP-rating securing device for wiring.

Sleeve

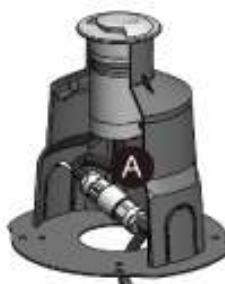
Optional 1



Sleeve A07



160.4



B

Optional 2



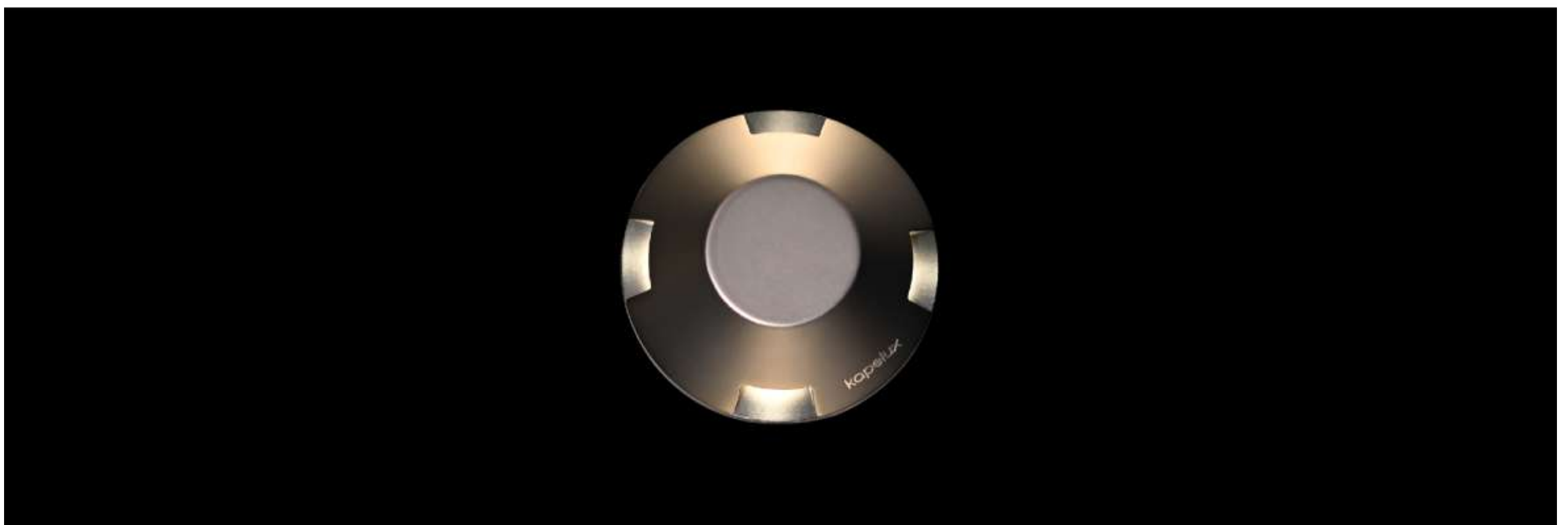
Sleeve 184#



Ø106.5



B



Photometric

