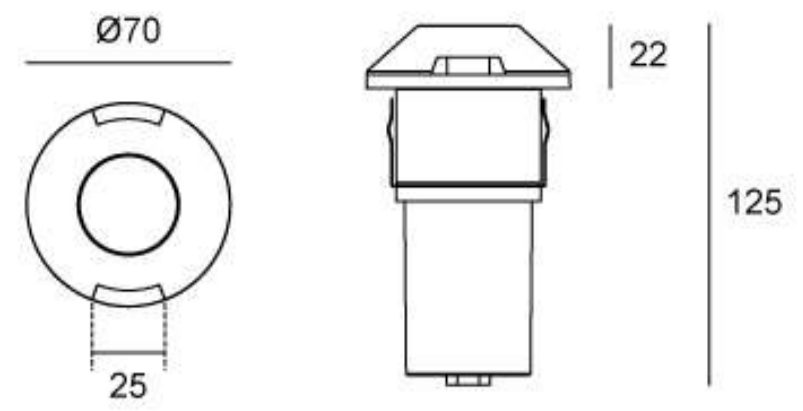


02AY2E0257

| | |
|------------------------|-----------------|
| Light Source | 2x2.1W |
| Beam Angle | 42° |
| Input Voltage (V) | DC 24 AC 240 |
| Operating Current (MA) | 24V=208 240V=32 |
| Consumption (W) | 24V=5 240V=5.8 |
| Luminance (LM) | WW=195 |
| IK | 10 |

Linear Drawing



Unit: mm

Specification

| | |
|-------------------------|---|
| Housing | 12# Die-casting aluminum powder coated. T=60-80µm.Adhesion of ISO class 1/ASTM class 4B |
| Front Cover | SUS 316#, Hard chrome-plated |
| Light Window | UV stop & Fireproof PC |
| Load Capacity | >2000kgs |
| Gasket | Silicon rubber molding shaped seal |
| Operating Temperature | -20°C~40°C |
| Recessd Sleeve Material | PC/ABS ALLOYS |
| Reflector | Optical Reflector efficiency≥90% |
| LED Type | SMD |
| LED Driver | Built in on/off driver |
| Power Cable | Outside of luminaire (Without waterstopper) H05RN-F 2X1.0mm² L=0.5m(24V) H05RN-F 3X1.0mm² L=0.5m(120V/240V) |

Painting Color

Primary



SUS 316#

Secondary



Sanded Bronze
KAP 7008

Water Proof Solution



A Water-Stopper(Included)

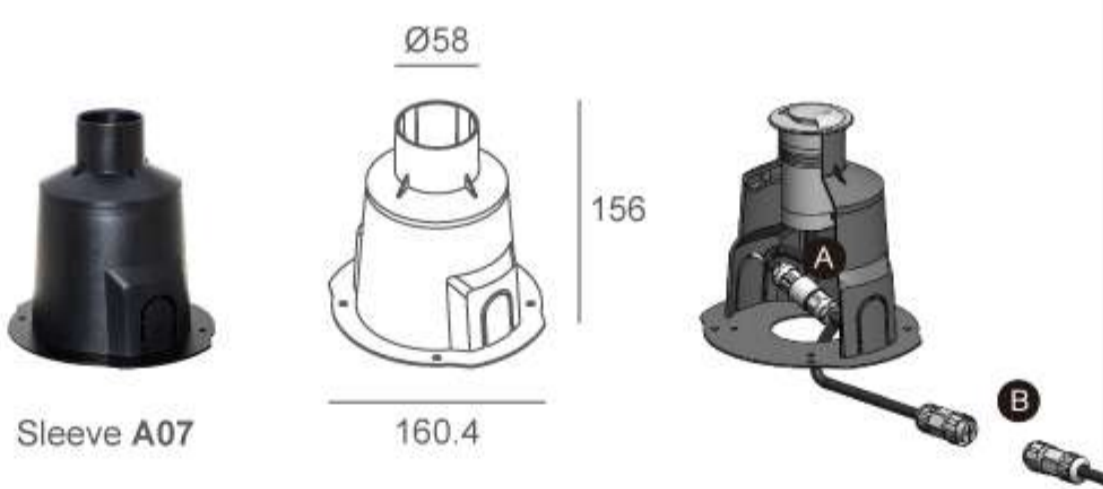
The luminaires produce high temperatures during use, which can create negative pressure upon power-off, drawing water vapor through the power cable. Therefore, it is essential for the device to prevent water vapor ingress with water-stopper.

B IP67 Jiffy quick plug/socket connector(Optional)

Along with water-stopper, this optional accessory acts as a fail-safe device for preventing vapor getting into the fixture via power cable. It is the also the most IP-rating securing device for wiring.

Sleeve

Optional 1

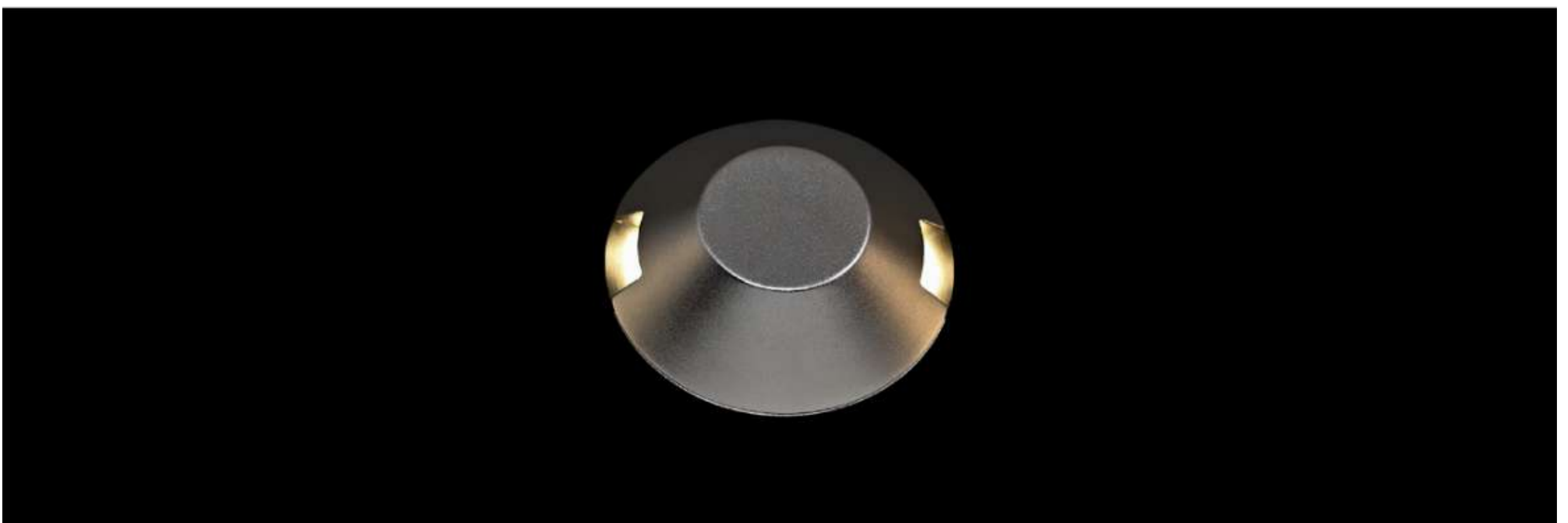


Sleeve A07

Optional 2



Sleeve 184#



Photometric

