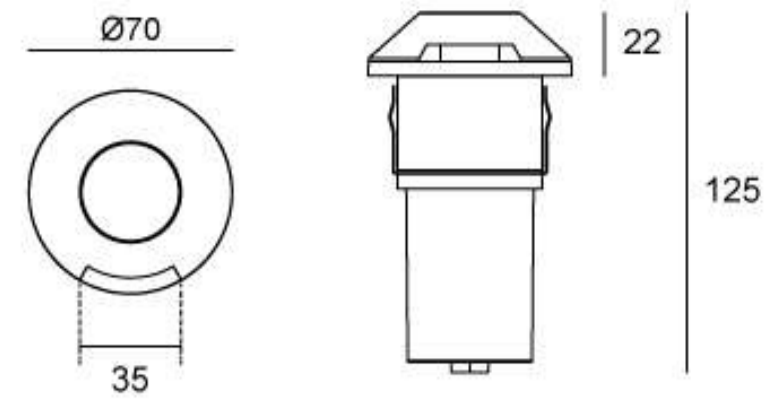


02AY1E0158

Light Source	1x4W
Beam Angle	60°
Input Voltage (V)	DC 24 AC 240
Operating Current (MA)	24V=208 240V=26
Consumption (W)	24V=5 240V=5.2
Luminance (LM)	WW=66
IK	10

Linear Drawing



Unit: mm

Specification

Housing	12# Die-casting aluminum powder coated. T=60-80µm. Adhesion of ISO class 1/ASTM class 4B
Front Cover	SUS 316#, Hard chrome-plated
Light Window	UV stop & Fireproof PC
Load Capacity	>2000kgs
Gasket	Silicon rubber molding shaped seal
Operating Temperature	-20°C~40°C
Recessd Sleeve Material	PC/ABS ALLOYS
Reflector	Optical Reflector efficiency≥90%
LED Type	SMD
LED Driver	Built in on/off driver
Power Cable	Outside of luminaire (Without waterstopper) H05RN-F 2X1.0mm ² L=0.5m(24V) H05RN-F 3X1.0mm ² L=0.5m(120V/240V)

Painting Color

Primary



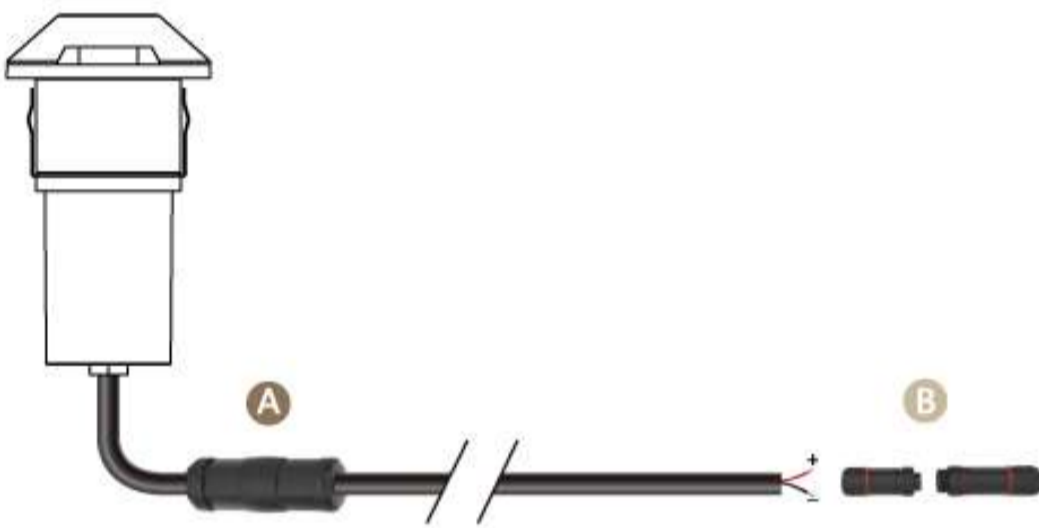
SUS 316#

Secondary



Sanded Bronze
KAP 7008

Water Proof Solution



A Water-Stopper(Included)

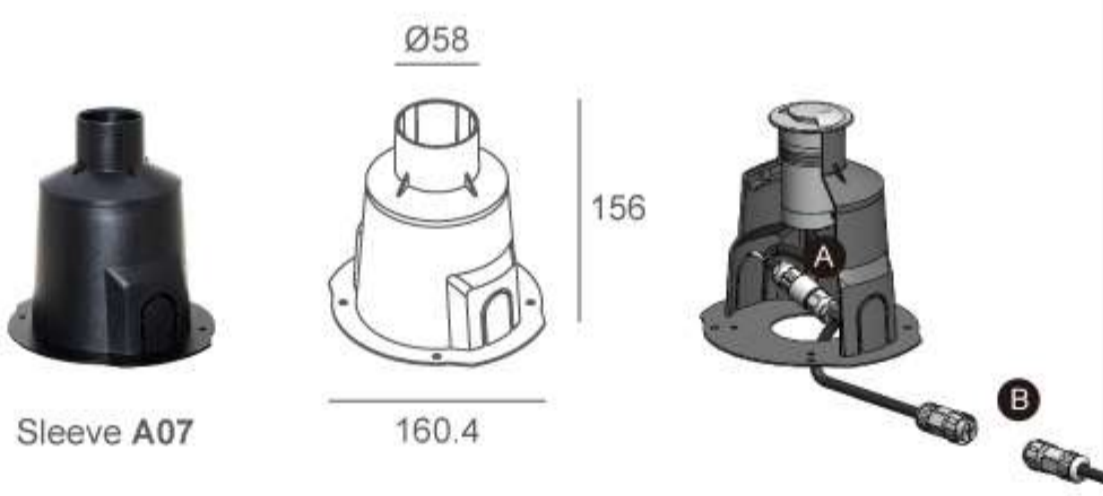
The luminaires produce high temperatures during use, which can create negative pressure upon power-off, drawing water vapor through the power cable. Therefore, it is essential for the device to prevent water vapor ingress with water-stopper.

B IP67 Jiffy quick plug/socket connector(Optional)

Along with water-stopper, this optional accessory acts as a fail-safe device for preventing vapor getting into the fixture via power cable. It is also the most IP-rating securing device for wiring.

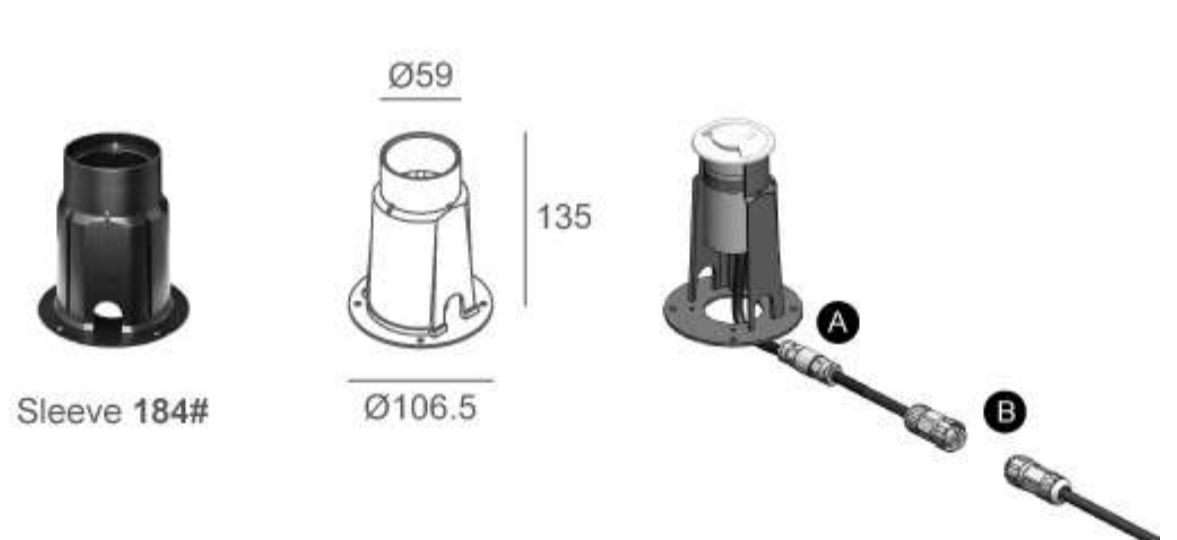
Sleeve

Optional 1

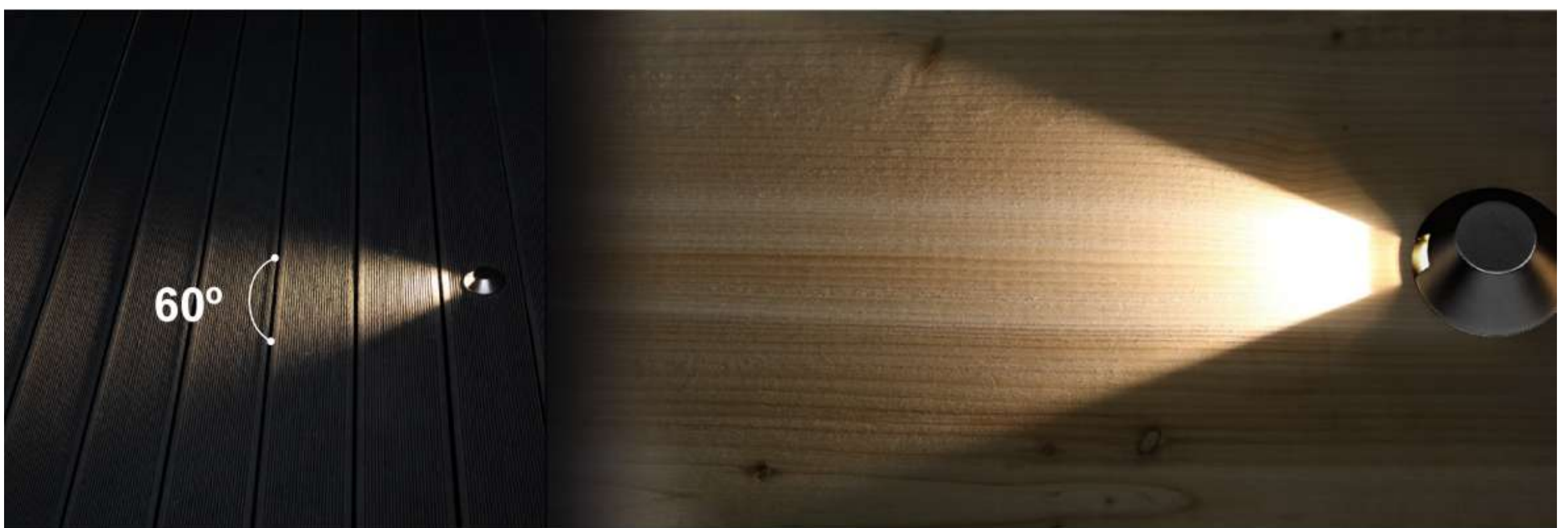


Sleeve A07

Optional 2

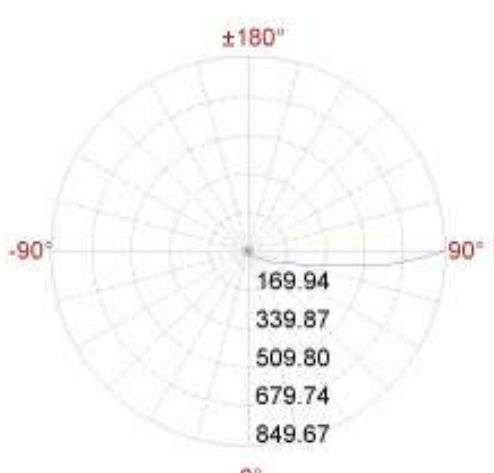


Sleeve 184#



Photometric

12m	0.00 LUX
11m	
10m	0.00 LUX
9m	
8m	0.01 LUX
7m	
6m	0.01 LUX
5m	
4m	0.03 LUX
3m	
2m	0.11 LUX
1m	



Light distribution curve[Unit:cd]



Lux distance curve

Center beam LUX	Beam width V	H
2m 0.11LUX	1.7m	0.1m
4m 0.03 LUX	3.4m	0.2m
6m 0.01 LUX	5.0m	0.3m
8m 0.01 LUX	6.7m	0.3m
10m 0.00 LUX	8.4m	0.4m
12m 0.00 LUX	10.1m	0.5m

Ver.Spread:45.5 Horiz.Spread:2.5