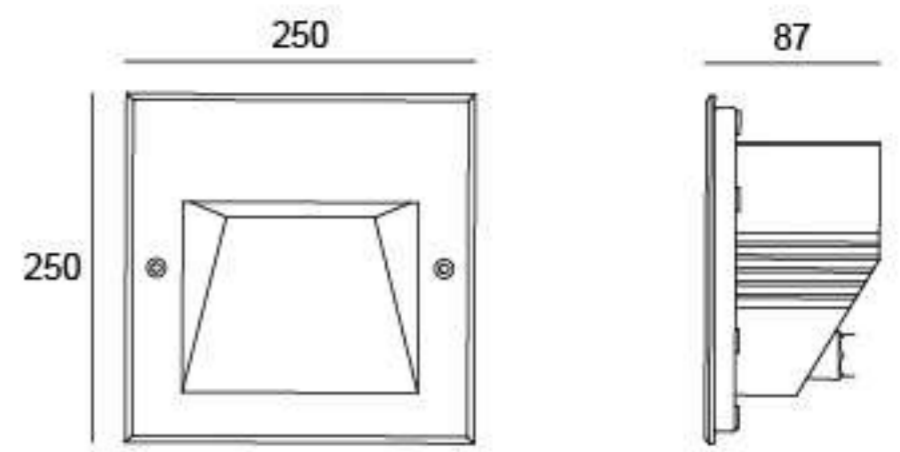


## 01GEC1257

Light Source	12x1.8W
Lens	C21
Selected Degree (°)θ1/2	86° x 45°
Input Voltage (V)	DC 24 AC 240
Operating Current (MA)	24V=1158 240V=106
Consumption (W)	24V=26 240V=24.4
Luminance (LM)	WW=1200
IK	05

## Linear Drawing



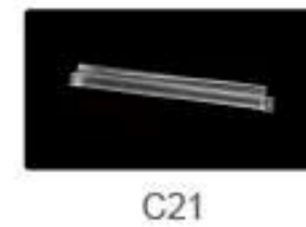
Unit: mm

## Specification

Front Cover & Housing	12# Die-casting RAL9005 powder coated aluminum T=60-80um.Adhesion of ISO class 1/ASTM class 4B
Light Window	Tempered Glass
Gasket	Waterproof silicone gasket
Cable Gland	IP67
LED Type	SMD
Driver	Built in on/off driver
Recessed Sleeve	SUS 202#
Operating Temperature	-20°C~40°C
Power Cable	Outside of luminaire (Without waterstopper) DC power: H05RN-F 2x1.0mm², L=0.5m (24V) AC power: H05RN-F 3x1.0mm², L=0.5m (240V)
Dimming Support	External DALI supported TRIAC,0-10V, PWM via external driver on request

## Lens (Item Code)

## Referenced Degree(°)θ1/2



C21

75° / 50°

## Painting Color

### Primary



Sanded Black  
RAL 9005

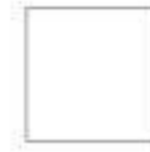
### Secondary



Sanded Dark Grey  
KAP 7037



Sanded Bronze  
KAP 7008

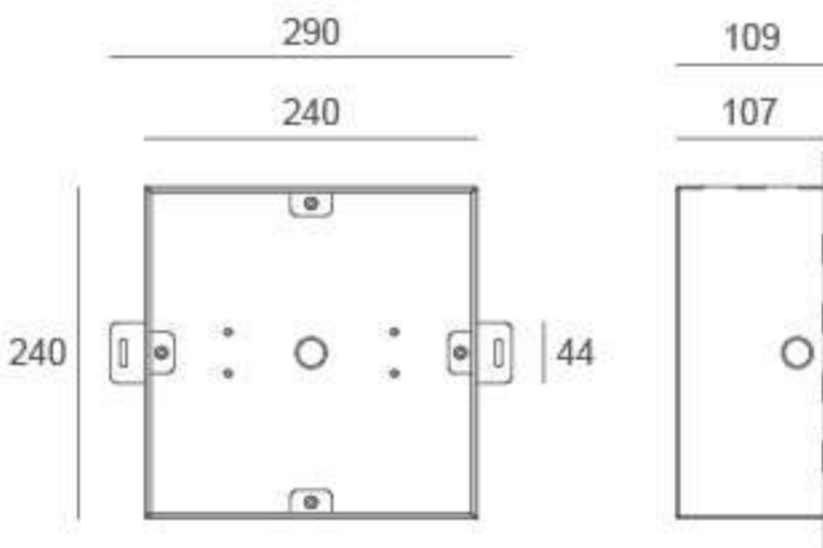


Sanded White  
RAL 9003

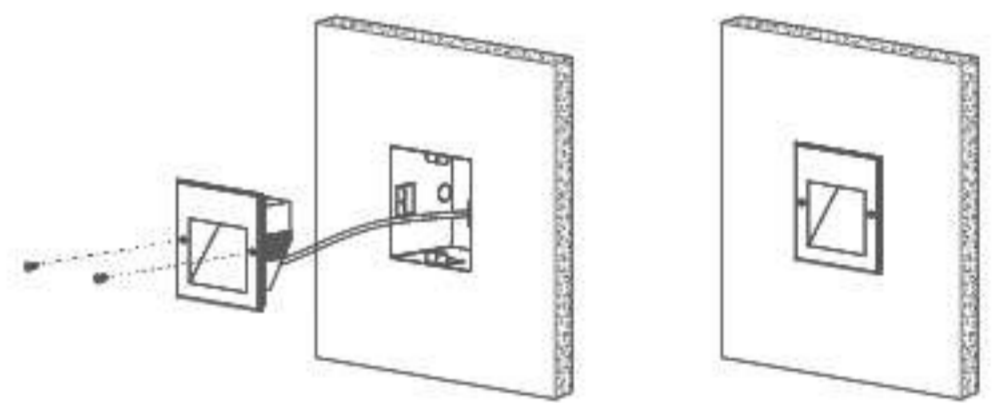
## Sleeve



Sleeve 222#

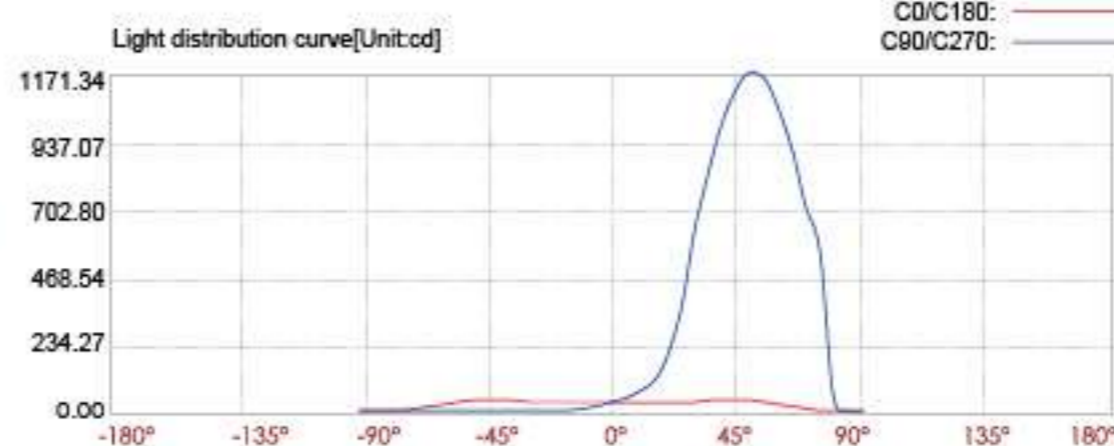


## Diagram Of Instruction



## Photometric

12m	0.19 LUX
11m	
10m	0.28 LUX
9m	
8m	0.43 LUX
7m	
6m	0.77 LUX
5m	
4m	1.73 LUX
3m	
2m	6.92 LUX
1m	



Center beam LUX	Beam width V	H
2m	3.7m	1.6m
4m	7.5m	3.3m
6m	11.2m	4.9m
8m	14.9m	6.5m
10m	18.6m	8.2m
12m	22.4m	9.8m

Ver.Spread:86.0 Horiz.Spread:44.4