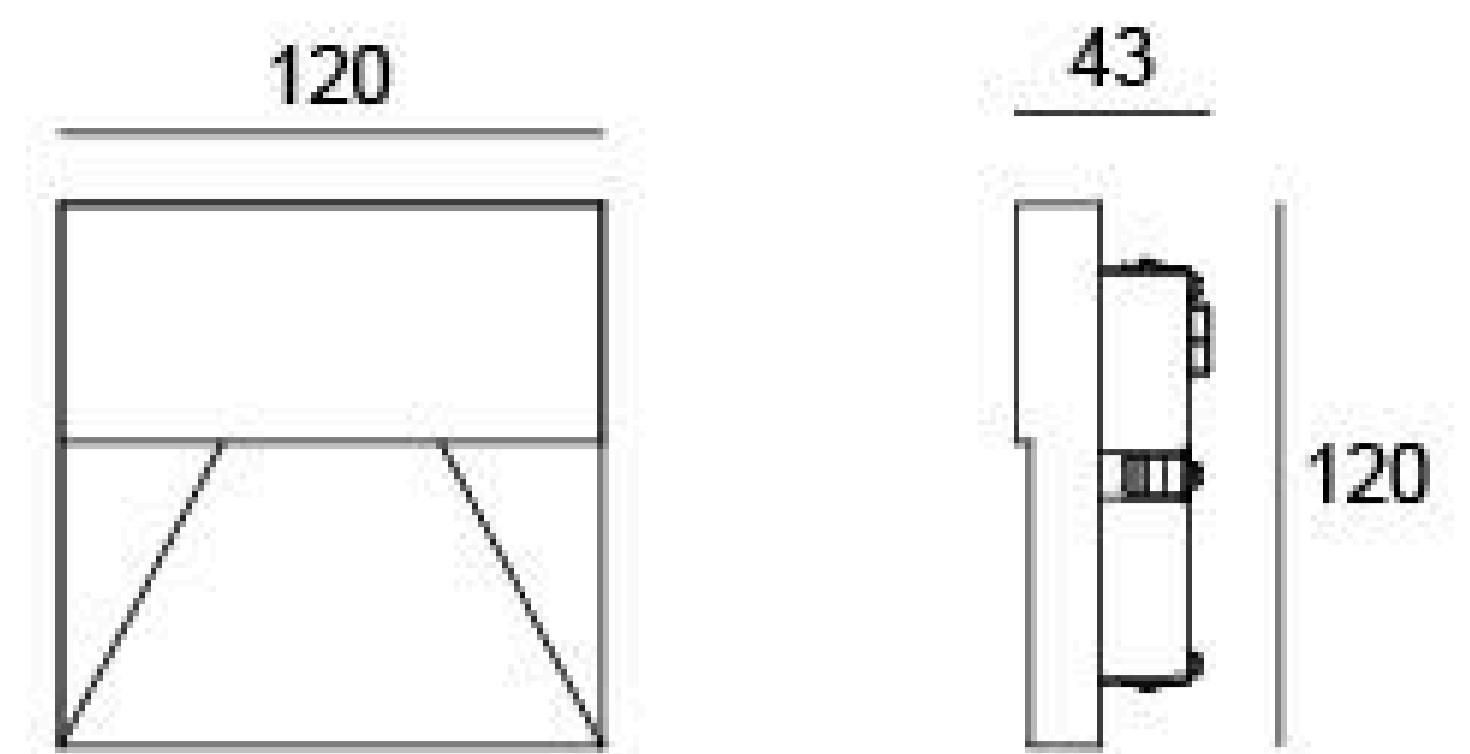


## 01CZD0934

|                         |                 |
|-------------------------|-----------------|
| Light Source            | 9x0.5W          |
| Lens                    | N/A             |
| Selected Degree (°)θ1/2 | N/A             |
| Input Voltage (V)       | DC 24 AC 240    |
| Operating Current (MA)  | 24V=250 240V=31 |
| Consumption (W)         | 24V=6 240V=6.3  |
| Luminance (LM)          | WW=94           |
| IK                      | 06              |

## Linear Drawing



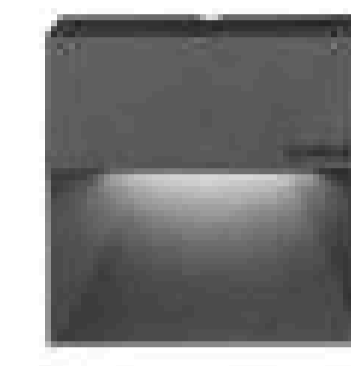
Unit: mm

## Specification

|                       |  |
|-----------------------|--|
| Front Cover & Housing | 12# Die-casting RAL9005 powder coated aluminum T=60-80um.Adhesion of ISO class 1/ASTM class 4B   |
| Light Window          | Tempered glass   |
| Gasket                | Waterproof silicone gasket   |
| Cable Gland           | IP67   |
| LED Type              | SMD  |
| Driver                | Built in on/off driver   |
| Recessed Sleeve       | Option 1: PC/ABS ALLOYS 150#<br>Option 2: Material SUS 202#  |
| Operating Temperature | -20°C~40°C   |
| Power Cable           | Outside of luminaire (Without waterstopper)<br>DC power: H05RN-F 2×1.0mm <sup>2</sup> , L=0.3m(24V)<br>AC power: H05RN-F 3×1.0mm <sup>2</sup> , L=0.3m(240V) |
| Dimming Support       | External DALI supported<br>TRIAC,0-10V, PWM via external driver on request   |

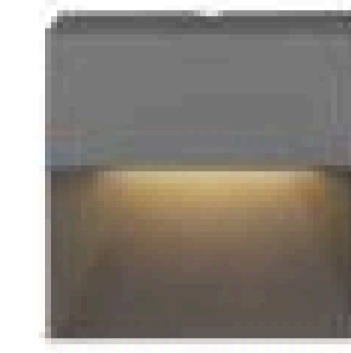
## Painting Color

### Primary

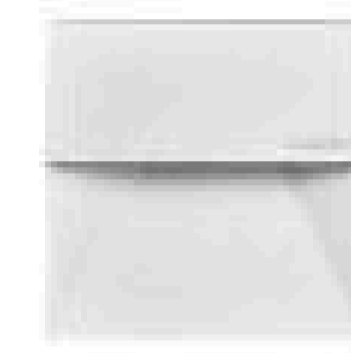


Sanded Black  
RAL 9005

### Secondary

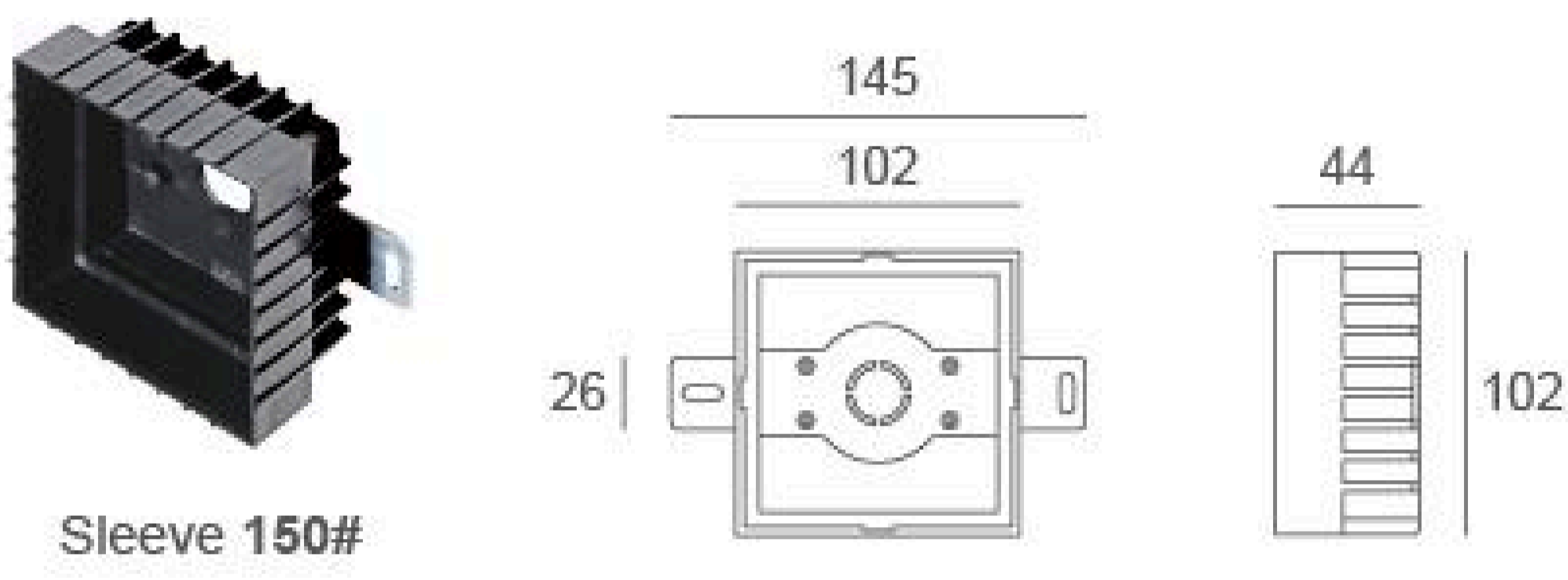


Sanded Dark Grey  
KAP 7037



Sanded White  
RAL 9003

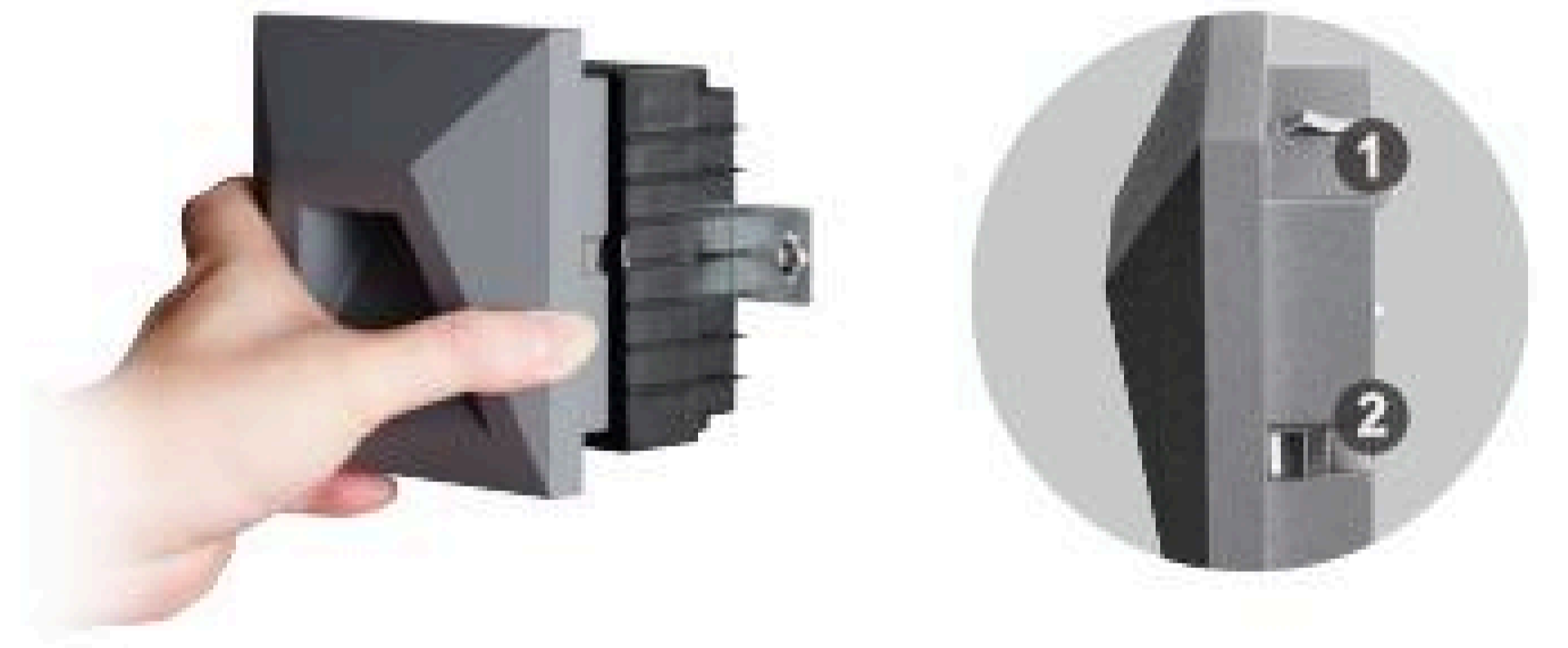
## Sleeve



Sleeve 150#

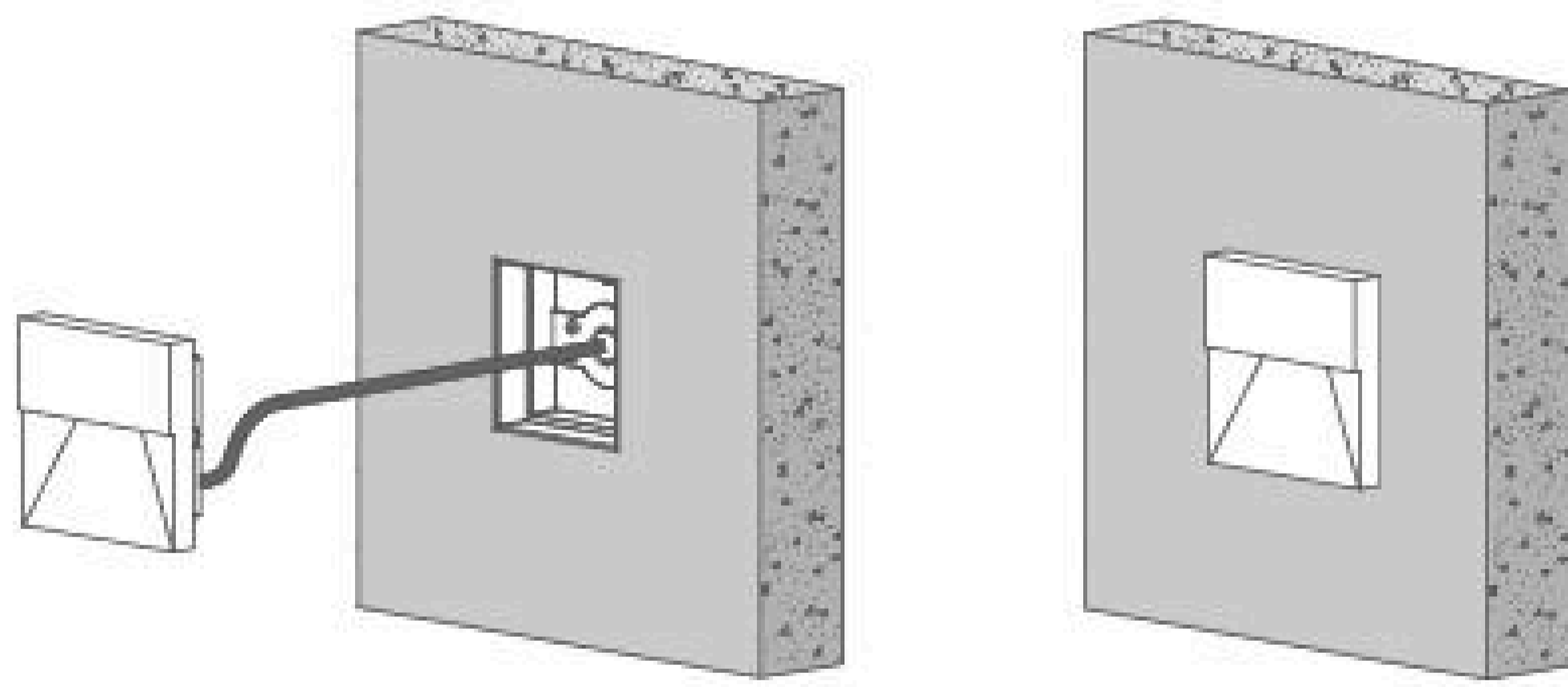
## Features

### Screwless front cover



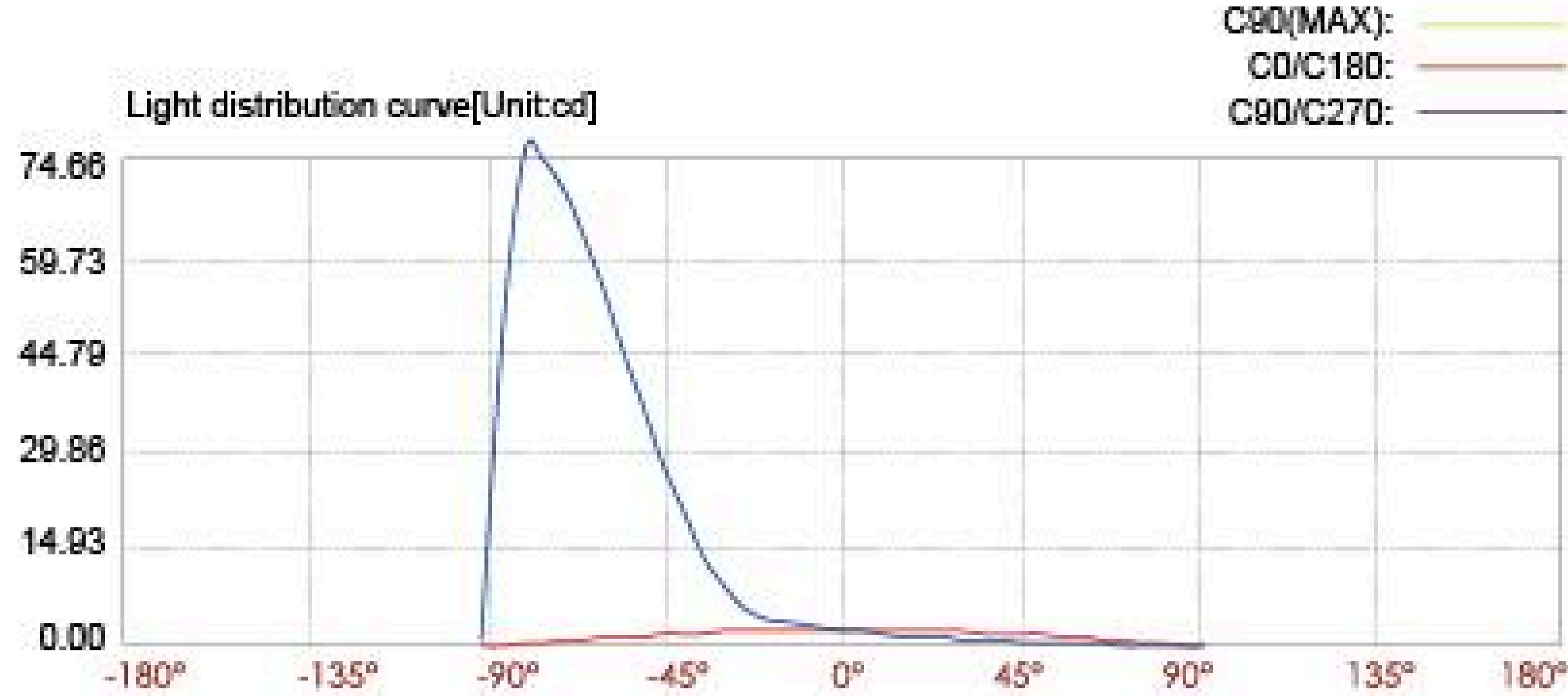
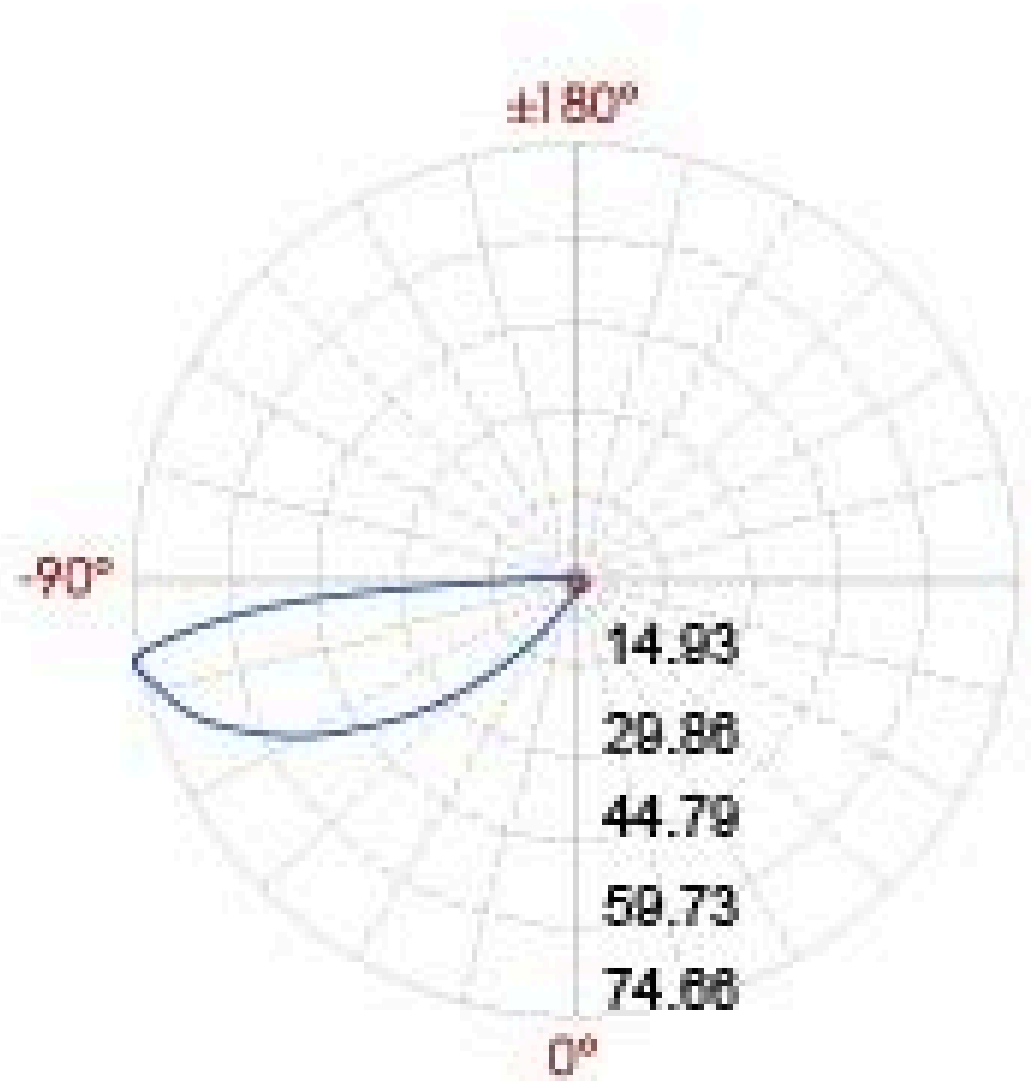
Use the high-strength clips for fixation.  
(please refer remark ① & ②)

## Diagram Of Instruction



## Photometric

|     |          |
|-----|----------|
| 12m | 0.02 LUX |
| 11m |          |
| 10m | 0.02 LUX |
| 9m  |          |
| 8m  | 0.04 LUX |
| 7m  |          |
| 6m  | 0.07 LUX |
| 5m  |          |
| 4m  | 0.16 LUX |
| 3m  |          |
| 2m  | 0.62 LUX |
| 1m  |          |



### Lux distance curve

| Distance (m) | Center beam LUX | Beam width V (m) | Beam width H (m) |
|--------------|-----------------|------------------|------------------|
| 2m           | 0.62 LUX        | 3.2m             | 1.3m             |
| 4m           | 0.16 LUX        | 6.4m             | 2.6m             |
| 6m           | 0.07 LUX        | 9.6m             | 3.8m             |
| 8m           | 0.04 LUX        | 12.7m            | 5.1m             |
| 10m          | 0.02 LUX        | 15.9m            | 6.4m             |
| 12m          | 0.02 LUX        | 19.1m            | 7.7m             |

Ver.Spread:77.1 Horiz.Spread:35.5