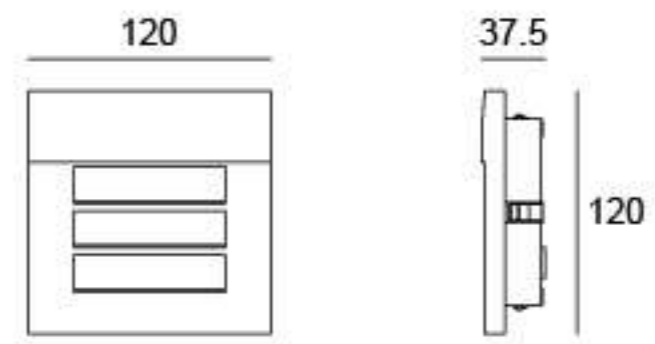


## 01CWD2832

Light Source	28x0.08W
Lens	N/A
Selected Degree (°)θ1/2	N/A
Input Voltage (V)	DC 24 AC 240
Operating Current (MA)	24V=105 240V=16
Consumption (W)	24V=2.5 240V=3.5
Luminance (LM)	WW=84
IK	05

## Linear Drawing



Unit: mm

## Specification

Front Cover & Housing	12# Die-casting RAL9005 powder coated aluminum T=60-80um.Adhesion of ISO class 1/ASTM class 4B
Light Window	UV stop & flame resistant PC
Gasket	Waterproof silicone gasket
Cable Gland	IP67
LED Type	SMD
Driver	Built in on/off driver
Recessed Sleeve	Option 1: PC/ABS ALLOYS 150# Option 2: Material SUS 202#
Operating Temperature	-20°C~40°C
Power Cable	Outside of luminaire (Without waterstopper) DC power: H05RN-F 2×1.0mm², L=0.3m(24V) AC power: H05RN-F 3×1.0mm², L=0.3m(240V)
Dimming Support	External DALI supported TRIAC,0-10V, PWM via external driver on request

## Painting Color

### Primary



Sanded Black  
RAL 9005

### Secondary

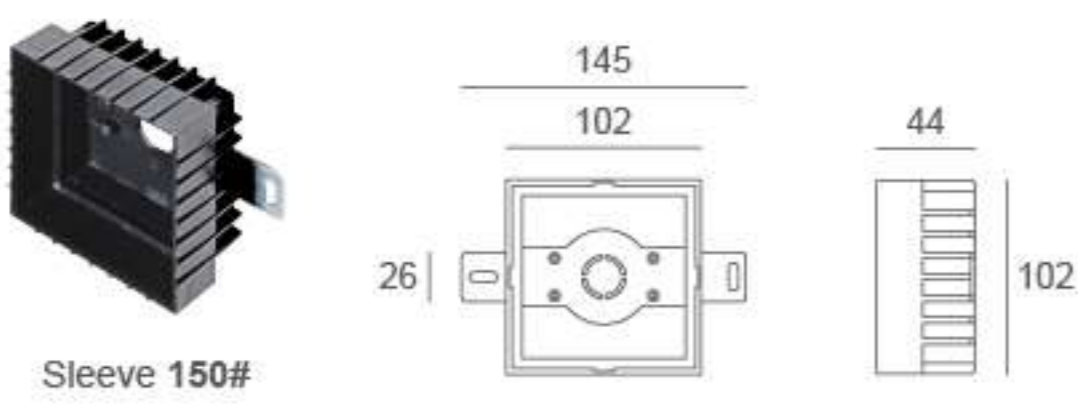


Sanded Dark Grey  
KAP 7037



Sanded White  
RAL 9003

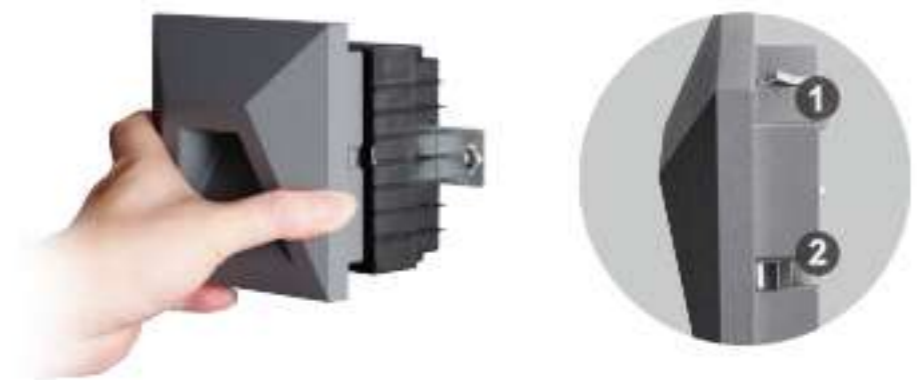
## Sleeve



Sleeve 150#

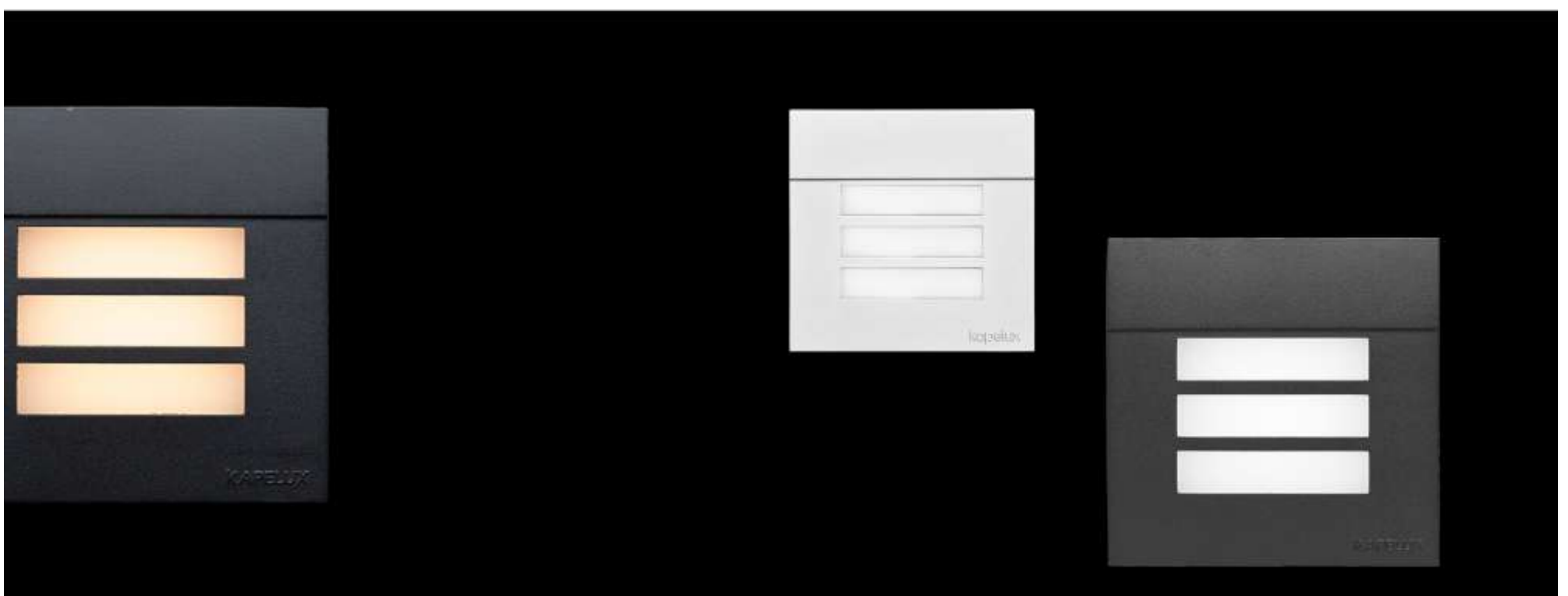
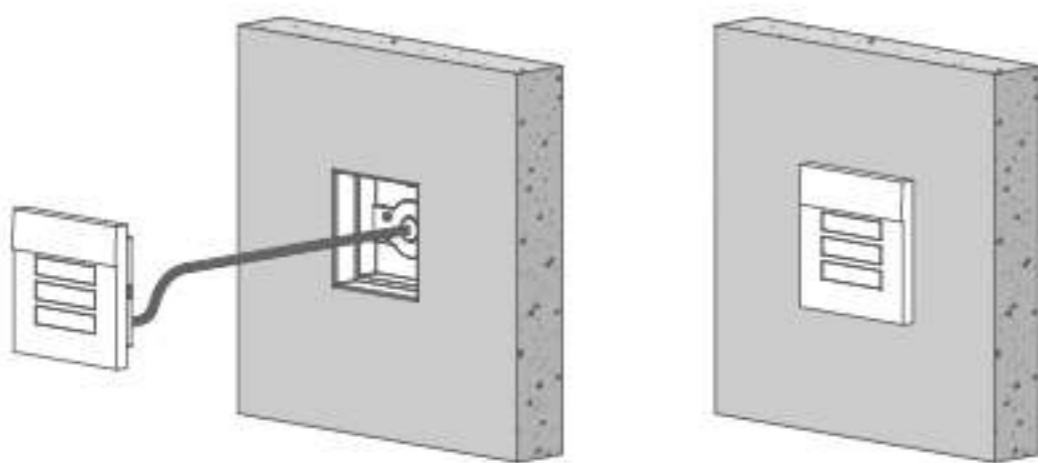
## Features

### Screwless front cover



Use the high-strength clips for fixation.  
(please refer remark ① & ②)

## Diagram Of Instruction



## Photometric

