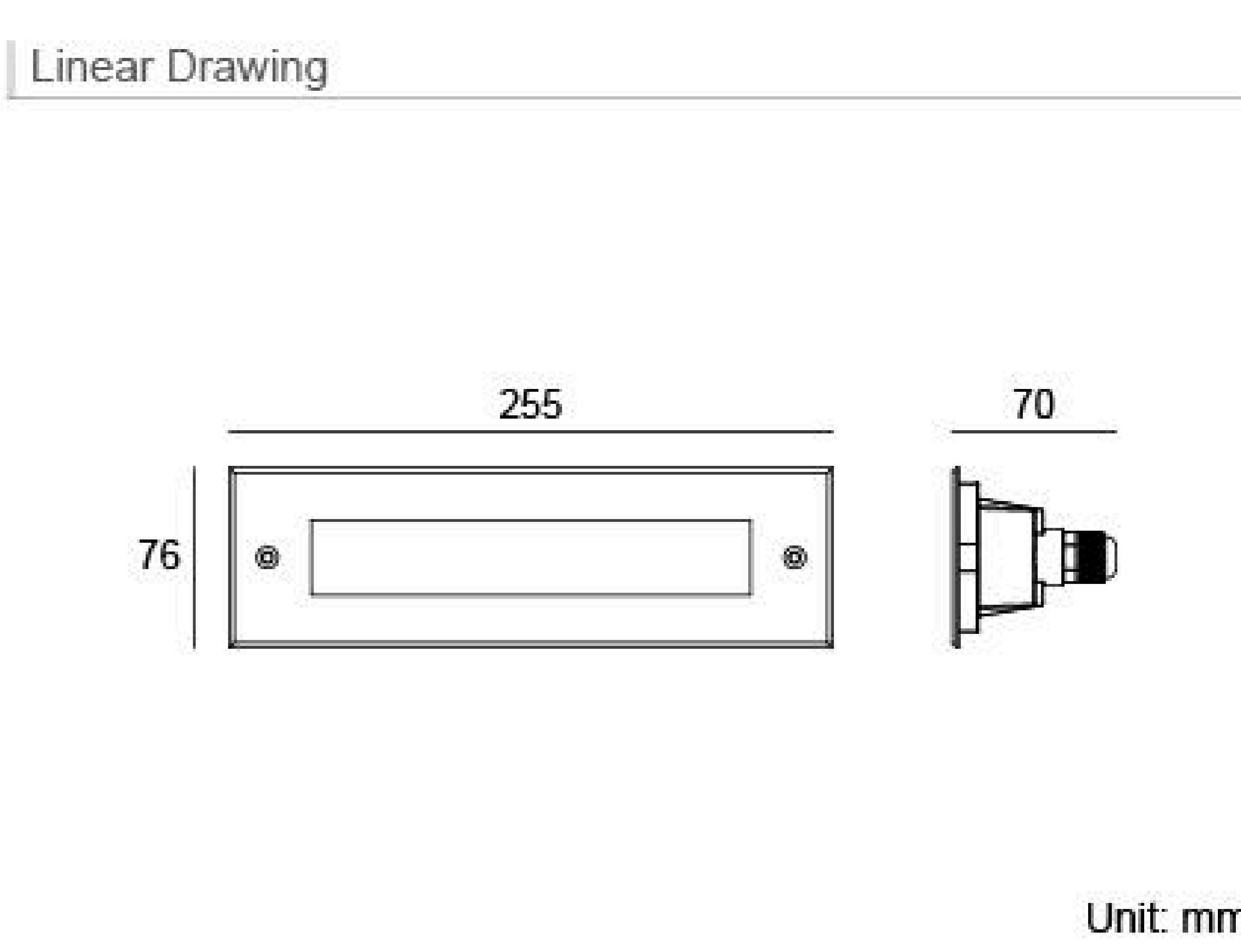
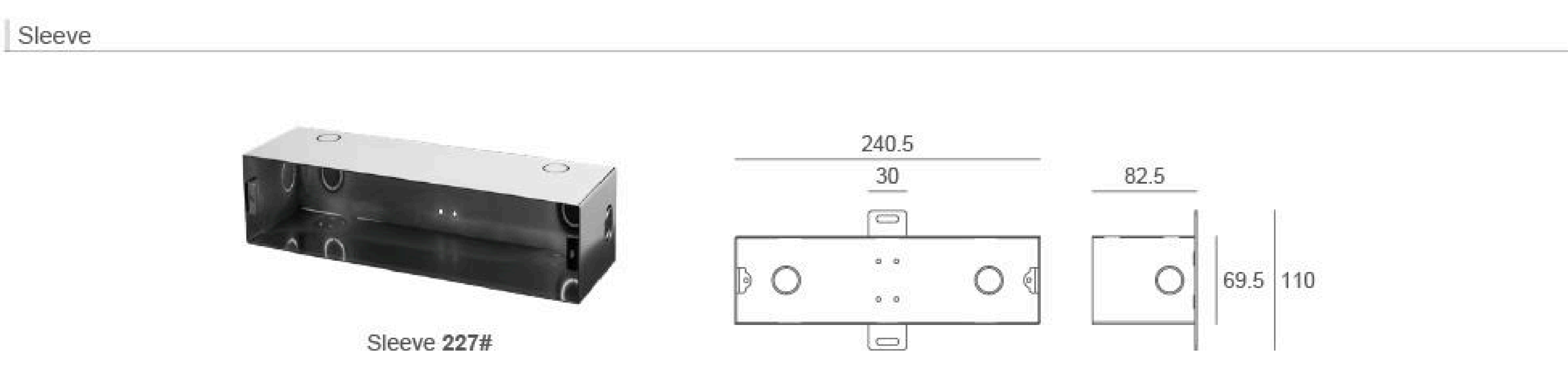
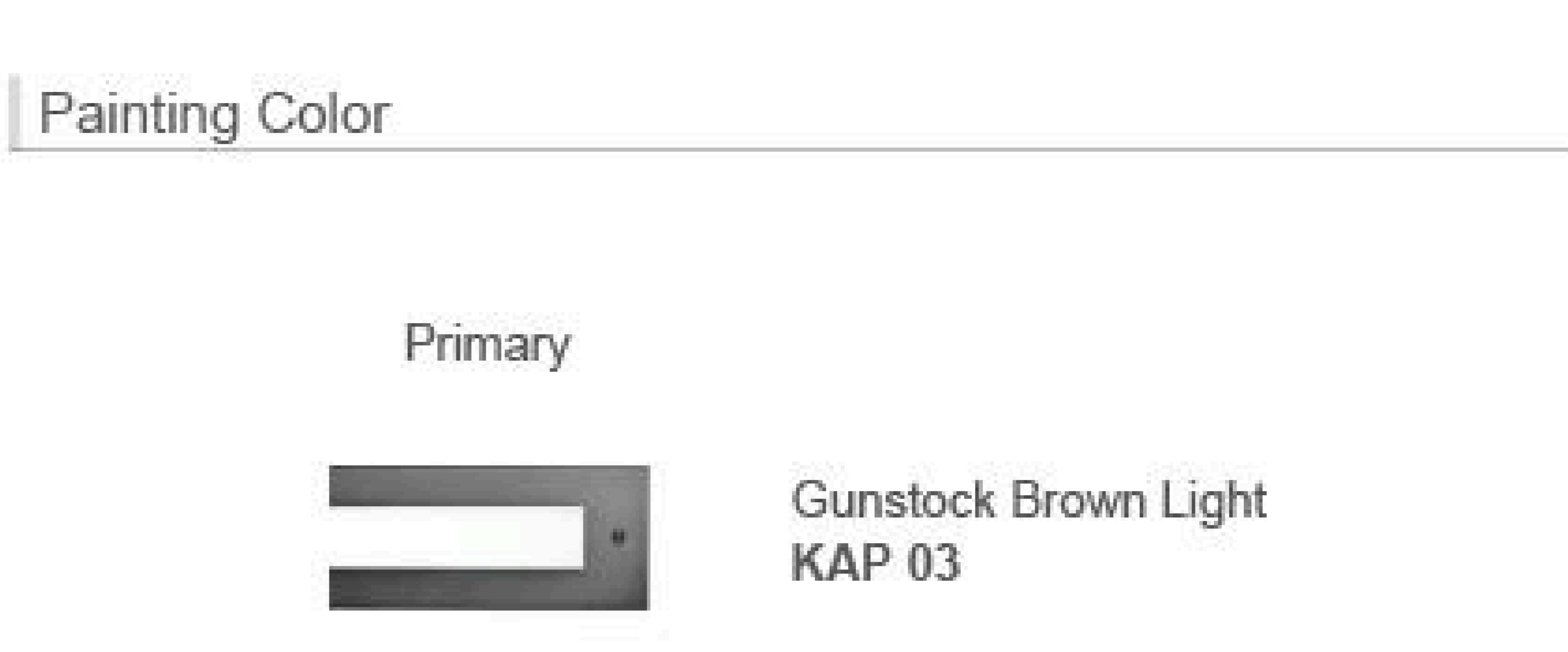


01BDD4232	
Light Source	42x0.09W
Lens	N/A
Selected Degree (°)θ1/2	N/A
Input Voltage (V)	DC 24 AC 240
Operating Current (MA)	24V=220 240V=30
Consumption (W)	24V=5.3 240V=6.5
Luminance (LM)	CW=226 WW=200
IK	09



Specification	
Front Cover	Hard chromeplated molding shaped stainless steel SUS 316L#
Housing	12# Die-casting RAL9005 powder coated aluminum. T=60-80µm.Adhesion of ISO class 1/ASTM class 4B
Light Window	UV stop & flame resistant PC
Gasket	Waterproof silicone gasket
Cable Gland	IP67
LED Type	SMD
Driver	Built in on/off driver
Recessed Sleeve	Material SUS 202#
Operating Temperature	-20°C~40°C
Power Cable	Outside of luminaire (Without waterstopper) DC power: H05RN-F 2×1.0mm², L=0.5m(24V) AC power: H05RN-F 3×1.0mm², L=0.5m(120V/240V)
Dimming Support	External DALI supported TRIAC,0-10V, PWM via external driver on request



Mounting Sleeve Characteristic

Notice 1 :
About The Supporting Plates

The above picture – the supporting plate "A1" and "A2" are used for preventing deformation of the sleeve during the construction installation process. Please remove the supporting plate "A1" and "A2" from the mounting sleeve before the lamp installation.

Notice 2 :
Low Voltage Type

High Voltage Type(220-240V)

