

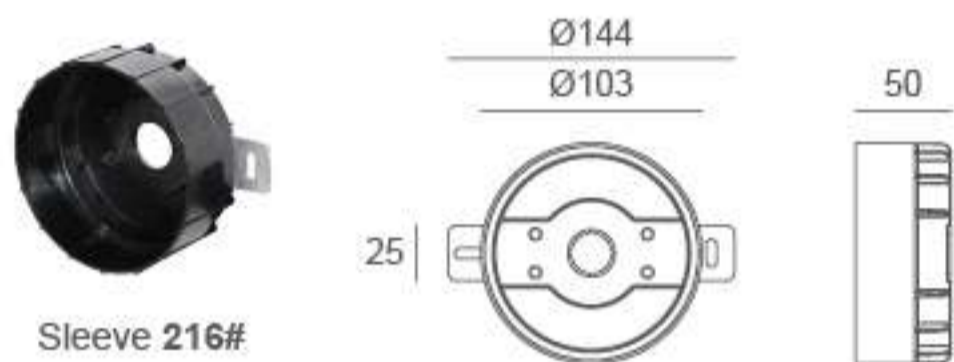
## 01ALD2832

Light Source	28x0.1W
Lens	N/A
Selected Degree (°)θ1/2	N/A
Input Voltage (V)	DC 24 AC 240
Operating Current (MA)	24V=125 240V=15
Consumption (W)	24V=3 240V=3.5
Luminance (LM)	WW=18
IK	08

### Specification

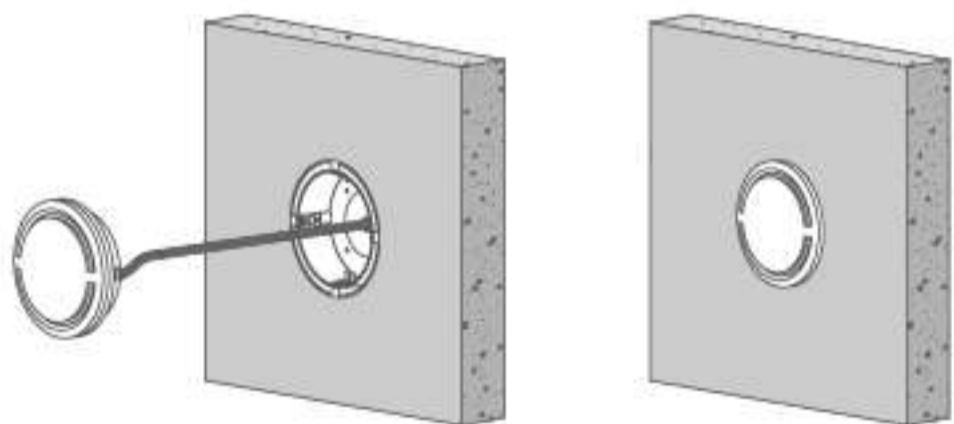
Front Cover & Housing	12# Die-casting RAL9005 powder coated aluminum T=60-80um.Adhesion of ISO class 1/ASTM class 4B
Light Window	UV stop & flame resistant PC
Gasket	Waterproof silicone gasket
Cable Gland	IP67
LED Type	SMD
Driver	Built in on/off driver
Recessed Sleeve	PC/ABS ALLOYS 216#
Operating Temperature	-20°C~40°C
Power Cable	Outside of luminaire (Without waterstopper) DC power: H05RN-F 2×1.0mm <sup>2</sup> , L=0.3m(24V) AC power: H05RN-F 3×1.0mm <sup>2</sup> , L=0.3m(240V)
Dimming Support	External DALI supported TRIAC,0-10V, PWM via external driver on request

### Sleeve

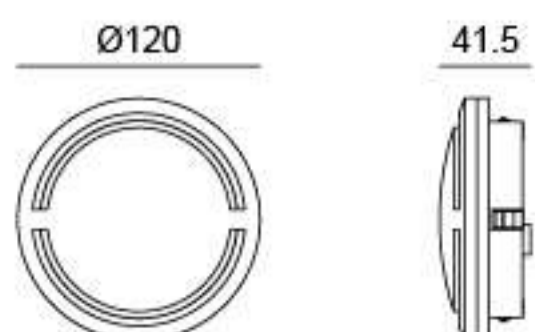


Sleeve 216#

### Diagram Of Instruction



### Linear Drawing



Unit: mm

### Painting Color

#### Primary

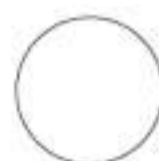


Sanded Black  
RAL 9005

#### Secondary



Sanded Dark Grey  
KAP 7037



Sanded White  
RAL 9003



Sanded Bronze  
KAP 7008

### Features

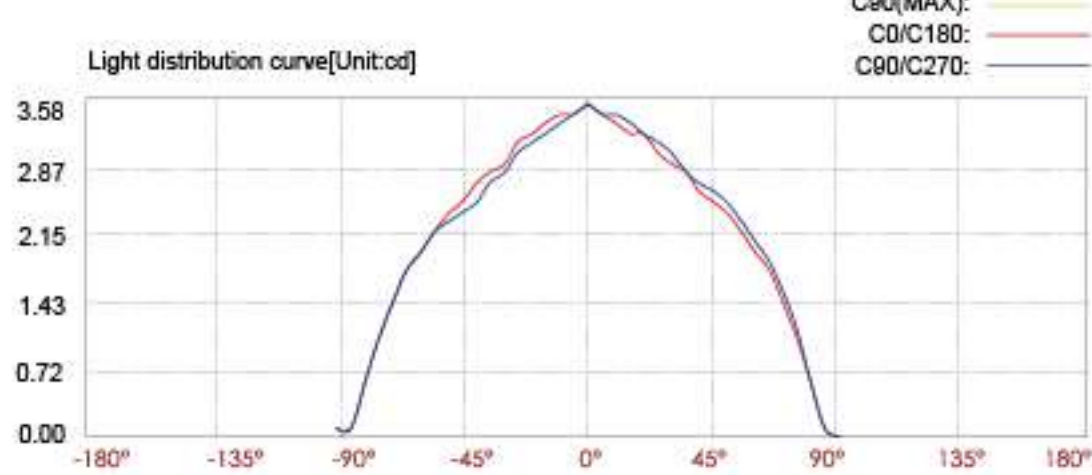
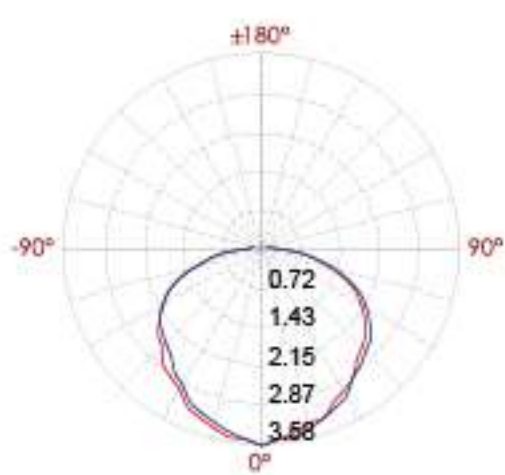
#### Screwless front cover



Use the high-strength clips for installation and extension.  
(please refer remark ① & ②)

### Photometric

12m	0.02 LUX
11m	
10m	0.04 LUX
9m	
8m	0.06 LUX
7m	
6m	0.10 LUX
5m	
4m	0.22 LUX
3m	
2m	0.90 LUX
1m	



#### Lux distance curve

Center beam LUX	Beam width V	H
0.90 LUX	8.9m	9.3m
0.22 LUX	17.8m	18.5m
0.10 LUX	26.7m	27.8m
0.06 LUX	35.6m	37.0m
0.04 LUX	44.5m	46.3m
0.02 LUX	53.4m	55.5m

Ver.Spread:131.7 Horiz.Spread:133.3